

oventrop

Innovation + Quality

Valves, controls + systems

Thermostatic mixing valve
"Brawa-Mix 97"

Product range





1



2

The Oventrop “Brawa-Mix 97” Thermostatic mixing valve features a stepless manual adjustment of the temperature of mixed water for domestic use, and is particularly suitable for use in Hospitals, Schools, Nursing Homes and other care situations.

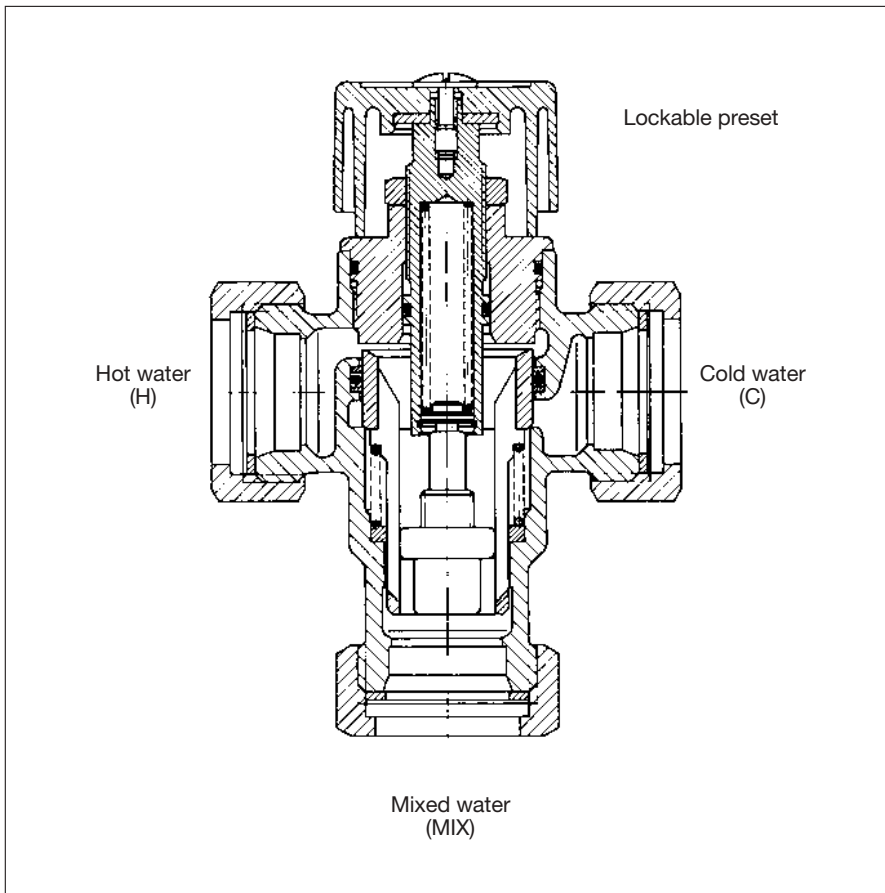
- Performance in accordance with NHS Model Specification DO8, as a “Type 3” valve (see Table 2 below), and to NHS Estates Guidance Note “Safe” Hot Water and Surface Temperatures.
- WRc Certificate No. ETC/43/0698
- Allows high temperature primary hot water to combat Legionella, without the risk of scalding.
- Lockable handwheel.
- Calcification resistant.
- A range of inlet fittings kits allow for flexibility of installation.
- Available with integral WRc approved check valves and stainless steel mesh strainers.

Table 1: Conditions for Normal Use

Operating Pressure Range	High	Low
Max static pressure (bar)	10	10
Flow pressure hot & cold (bar)	1 to 5	0.2 to 1
Hot supply temperature (°C)	52 to 65	52 to 65
Cold supply temperature (°C)	5 to 20	5 to 20

1 “Brawa-Mix 97” fitted with 22 mm swivel compression set.

2 “Brawa-Mix 97” fitted with 22 mm straight compression set.



Technical Specification:

Valve:

Bronze (Rg5) valve body, DZR brass bonnet, the valve cone and sliding components are made from high quality calcification resistant plastic. EPDM seals. Lockable handwheel.
Item No. 130 03 51
Connections – 1" BSP male thread with union nuts, to suit 15 mm or 22 mm tailpipe sets.

Tailpipe Sets:

Compression sets

Straight compression tailpipes – 2 fold – complete with integral check valves and mesh strainers, for the hot and cold inlet ports, and a compression fitting for the mixed outlet port.

15 mm Item No. 130 03 88
22 mm Item No. 130 03 89

Swivel compression tailpipes – 2 fold – complete with integral check valves and mesh strainers, for the hot and cold inlet ports, and a compression fitting for the mixed outlet port.

15 mm Item No. 130 03 95
22 mm Item No. 130 03 96

Solder tailpipe sets

Comprising 3 solder tails without check valves or strainers.

15 mm Item No. 130 03 92
22 mm Item No. 130 03 94

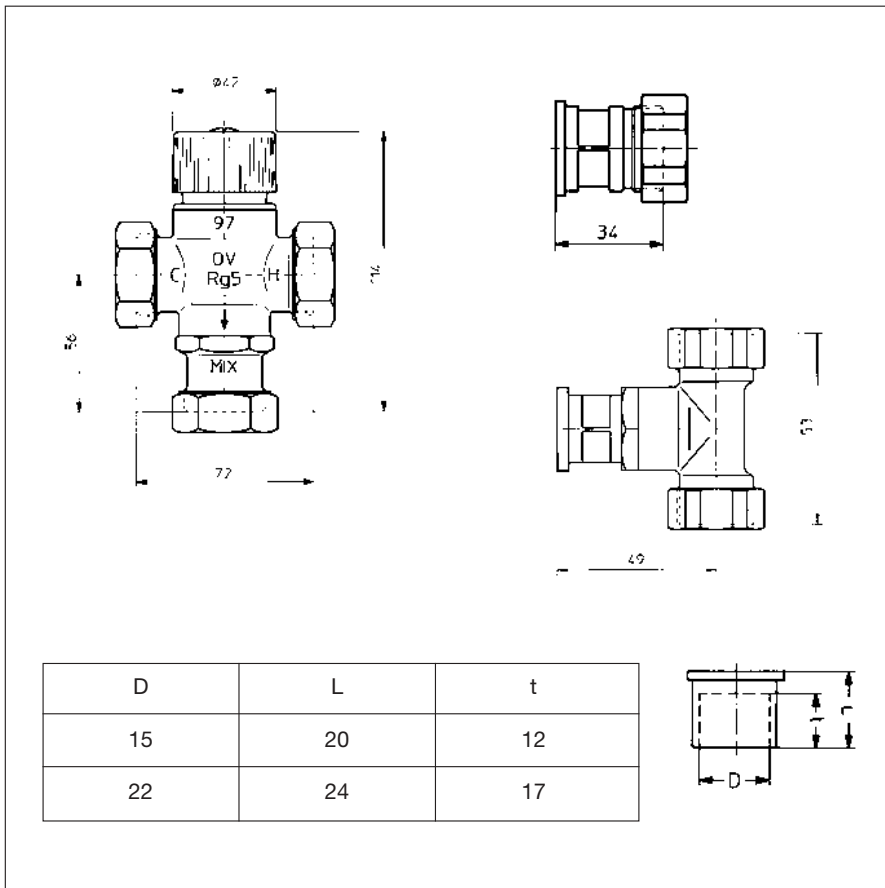


Table 2:

The “Brawa-Mix 97” is certificated for use as a “Type 3” valve on the following outlet designations only when fitted with the appropriate sized tailpipe set.

15 mm or 22 mm	22 mm only
HP-S (41 max)	HP-T44 (44 max)
HP-W (41 max)	HP-T46 (46 max) *
LP-W (41 max)	LP-S (41 max)

(41, 44 or 46 max) relates to the maximum set mixed water temperatures as defined within HGN “SAFE” Hot Water & Surface Temperatures.

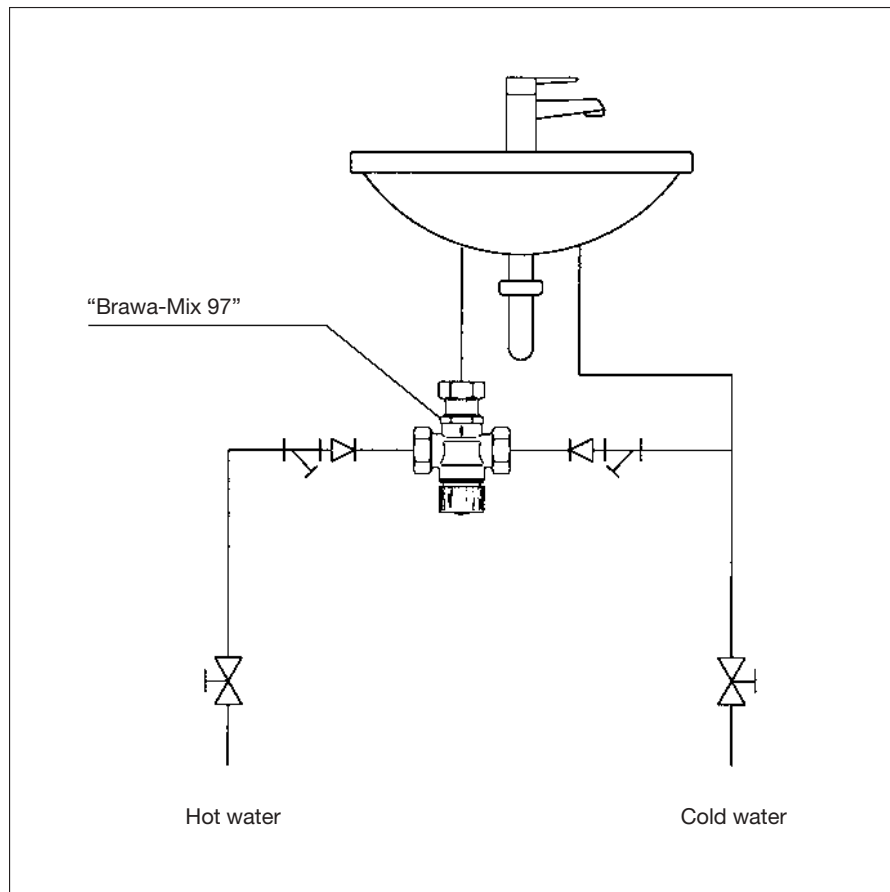
* Refer to the above HGN for guidance when using designation HP-T46.

Application:

Fitted in accordance with NHS and/or Local Authority requirements, typically under handbasins or baths, and in accordance with our Installation & Operation Instructions, the “Brawa-Mix 97” can be used to mix primary hot water with cold water from the mains or a storage tank provided that both hot and cold water conditions are within the limits detailed in Table 1. The mixed water entirely engulfs the sensing element, thereby maintaining an accurate temperature control.

The stepless adjustment between 35 and 46°C for the mixed water is by a handwheel which is lockable, thus preventing unauthorised tampering. High quality calcification, dezincification and corrosion resistant materials are used in the manufacture of all working components. The hot water port closes in case of failure of the cold water supply.

In order to protect the precision machined internal surfaces of the “Brawa-Mix 97” we strongly recommend the use of “Y” type line strainers (Fig Nos. 112 00 or 112 10) in the hot and cold water supply pipes.



Example of Installation

F.W.OVENTROP GmbH & Co. KG
 Paul-Oventrop-Straße 1
 D-59939 Olsberg
 Germany
 Telefon +49 (0) 29 62 82-0
 Telefax +49 (0) 29 62 82-450
 E-Mail mail@oventrop.de
 Internet www.oventrop.de

OVENTROP UK LTD.
 Unit 1 – The Loddon Centre
 Wade Road
 GB - Basingstoke, Hampshire RG24 8FL
 Telephone +44 (0)1256) 330441
 Telefax +44 (0)1256) 330525
 E-Mail info@oventrop.co.uk
 Internet www.oventrop.co.uk