

## Pressure / Air Velocity / Air Flow

Differential Pressure Transmitter & Switch(4wire)

# PTA 102D



## GENERAL

PAT102D Digital Pressure Gauge is the instrument which precisely measures differential, static, compound( $\pm$ ), vacuum, gauge pressure of air, or non-corrosive gas( $\pm 0.5\%$ ).

Features : 4Digit LED display, current (4~20mA), Switch (1SPDT), communications (RS485).

Scale Adjustable (4~20mA-10:1, up to 500pascal)

## APPLICATIONS

- Semiconductor Equipment
- Heating, Ventilating and Air Conditioning (HVAC)
- Energy Management System
- Variable Air Volume and Fan Control (VAV)
- Environmental Pollution Control
- Oven Pressurization and Furnace Draft Controls

## SPECIFICATIONS

### GENERAL

Maximum Pressure : Rated Range $\times 3$

Media Compatibility : Air, non-corrosive gas

Pressure Range : 0~50Pascal to 0.5MPascal

### ELECTRICAL

Power supply : DC24V or AC85~265V

Connections : 2 screw terminal block

Warm up Time : 1 minutes

DISPLAY : 4 Digit LED

### PERFORMANCE AT 23°C

Zero Output : 4mA

Full Span Output : 20mA

Accuracy :  $\pm 0.5\text{FSO}$  (Includes Linearity, Hysteresis & Repeatability)  
 $\pm 0.25\%$  Option

Operating Temperature : 0~70°C

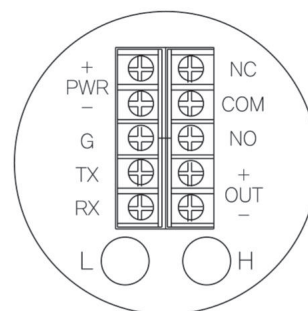
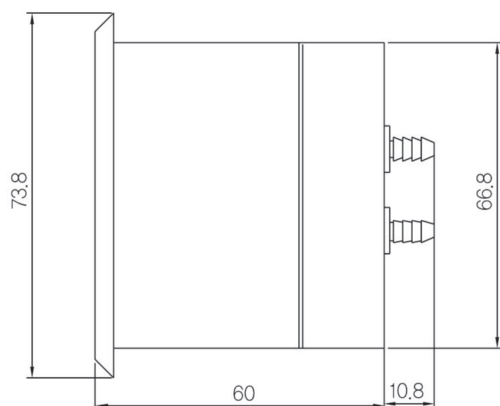
### MECHANICAL

Pressure Connections : 3/16" Nipple

Materials : PCABS mold resin

Weight : 155g

## Dimension >>>>



## SPECIFICATIONS

### TRANSMITTER

Output Signal : 4~20mA ADC (limited at 40mADC)  
 1~5V DC  
 Loop Resistance : 0~1100ohm  
 Zero & Span : One touch adjustable by Switch

### SWITCH

Relay Contact : 1SPDT (NC-COM-NO)  
 Contact Rating : 2A 30V DC  
 Connections : 3 Screw terminal block  
 Level Setting : Local Setting

### STANDARD ACCESSORIES

Connection Bolt : 3 screws  
 Panel Braket & Bolts

### COMMUNICATIONS

RS 485 Modbus RTU, RS 232

## Ordering Information

**PTA102D**  
 (Model)

**D**

A : Display Only  
 B : Transmitter  
 C : Switch  
 D : Transmitter & Switch

**A**

A : Absolute  
 B : Both  
 G : Gauge  
 D : Differential  
 V : Vaccum

**100**

Pressure Range (50Pa~0.5MPa)

**M**

Pressure Unit  
 M : mmH2O  
 KPa : KPascal  
 MPa : MPascal  
 IN : Inch/H2O  
 B : Bar

**1**

1 : DC24V  
 2 : AC85~265V  
 3 : DC12V

**Air Velocity(AVT)**

**Air Velocity Range : 0~2m/s to 30m/s**

※ Pressure Range & Unit available on Request