

## ZS-100 Weather Shield / For all damper actuators

### Application

The ZS-100 weather shield provides moderate protection to actuators which are mounted outdoors. This product is not designed as a water tight enclosure. The weather shield will work with all damper actuators.



### Installation

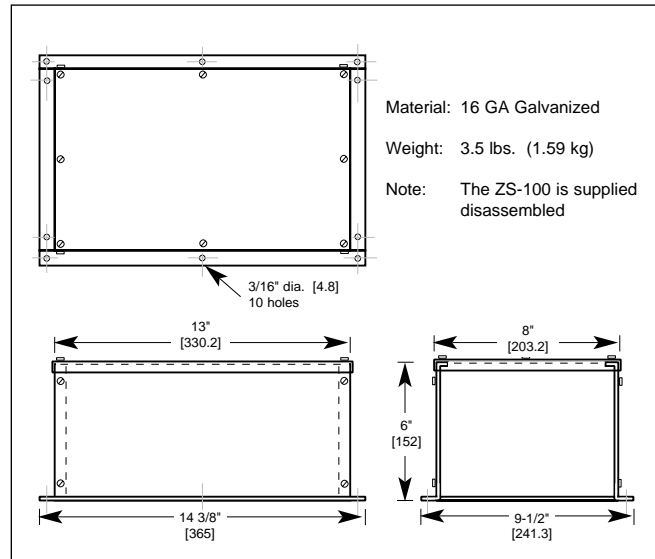
The ZS-100 weather shield is supplied disassembled. Supplying it in this manor makes it applicable to a wider range of field applications.

It may be assembled with 2 sides, 2 ends and the cover to completely conceal the actuator. A hole punch can be used to provide a hole to mount a wire conduit. A foam gasket is also provided to achieve a better seal between the cover and sides or from the base to the mounting surface. If desired, a side or end can be deleted from the assembly to provide easy access from the bottom of the enclosure.

### Accessories

ZS-101 Base mounting plate

### Dimensions [All numbers in brackets are in millimeters.]



## ZS-150 Weather Shield / For all damper actuators

### Application

The ZS-150 weather shield provides moderate protection to actuators which are mounted outdoors. This product is not designed as a water tight enclosure. The one piece, smoke tinted, polycarbonate housing

allows easy mounting over all damper actuators. The tinted, clear housing allows easy viewing of the actuator in operation.



### Installation

The ZS-150 weather shield is supplied as a one piece enclosure. Two 7/8 inch wiring holes are pre-drilled to allow easy connections of conduit to the housing. If connections must be made to a different spot on the enclosure or only one hole is required, two plastic plugs are provided to seal the holes. A foam gasket is also provided to achieve a better seal between the base of the enclosure to the mounting surface.

### Dimensions [All numbers in brackets are in millimeters.]

