

# AIR DUCT SMOKE DETECTOR



DS100-W 는 노출형으로써 실내의 연기를 감지하여 출력 및 Fan을 제어하는 기기이며, 설치 및 유지관리가 간편합니다. 다양한 기능을 갖춘 Electronics와 Air Sampling Unit에 광전식 또는 이온화식 감지기를 내장하여, 화재발생시 기류중 연기를 감지하여 경보출력 및 FAN을 직접 제어함으로써, 실내 연기의 확산을 방지합니다.

DS100-W Smoke detector has a reliable electronics and air sampling unit contains either a photoelectric or an ionization sensor for required applications.

This unit can smoke in duct air stream and alarm outputs for remote monitoring and control of the fan shut-off in the event of fire in the building.



▶ **MODEL : DS100-W**

# AIR DUCT SMOKE DETECTOR

## ● Features

Simple replacement of smoke sensor head  
Air sampling probe included  
Universal power supply available

## ● Specifications

Supply voltage	24VAC/DC, 110/220VAC
Air duct velocity	0.5 to 20m/s
Temperature limit	
Operating	0-50°C
Storage	-20 to 70°C
Operating humidity	10-95%RH
Warranty	1 year

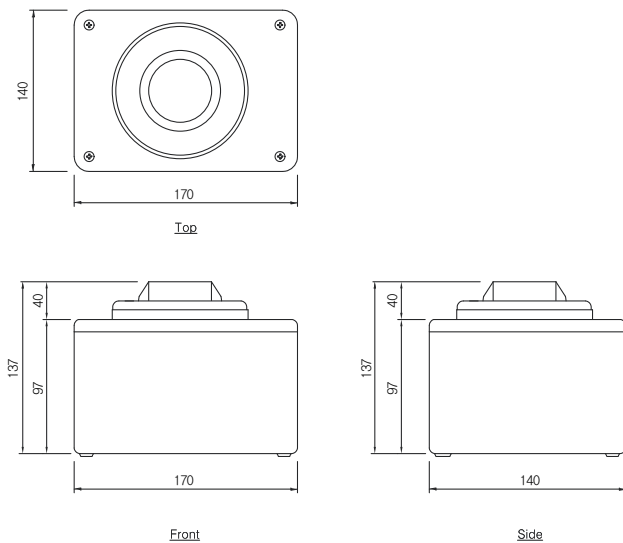
## ● Applications

HVAC building duct  
Fan outlet duct

## Contacts rating

Alarm Initiation(SPST)	2A	30VAC/DC
Alarm Auxiliary(DPDT)	10A	30VDC
Alarm Auxiliary(DPDT)	10A	250VAC
Trouble Contact(SPST)	2A	30VAC/DC

## ● Dimensions



## ● Wiring

