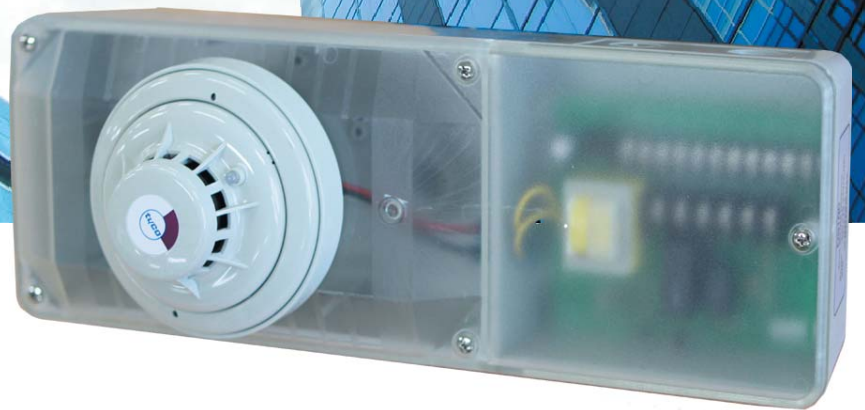


AIR DUCT SMOKE DETECTOR



▶ MODEL : DS100-E

DS100-E는 노출형으로써 터널 내 연기를 감지하여 출력 및 Fan을 제어하는 기기이며, 설치 및 유지관리가 간편합니다. 다양한 기능을 갖춘 Electronics와 Air Sampling Unit에 광전식 또는 이온화식 감지기를 내장하여, 화재발생시 기류중 연기를 감지하여 경보 출력 및 FAN을 직접 제어함으로써, 터널을 통한 연기의 확산을 방지합니다.

DS100-E Smoke detector has a reliable electronics and air sampling unit contains either a photoelectric or an ionization sensor for required applications.

This unit can smoke in duct air stream and alarm outputs for remote monitoring and control of the fan shut-off in the event of fire in the building.

AIR DUCT SMOKE DETECTOR

● Features

- Simple replacement of smoke sensor head
- Air sampling probe included
- Universal power supply available

● Specifications

| | |
|--------------------|----------------------|
| Supply voltage | 24VAC/DC, 110/220VAC |
| Air duct velocity | 0.5 to 20m/s |
| Temperature limit | |
| Operating | 0-50°C |
| Storage | -20 to 70°C |
| Operating humidity | 10-95%RH |
| Warranty | 1 year |

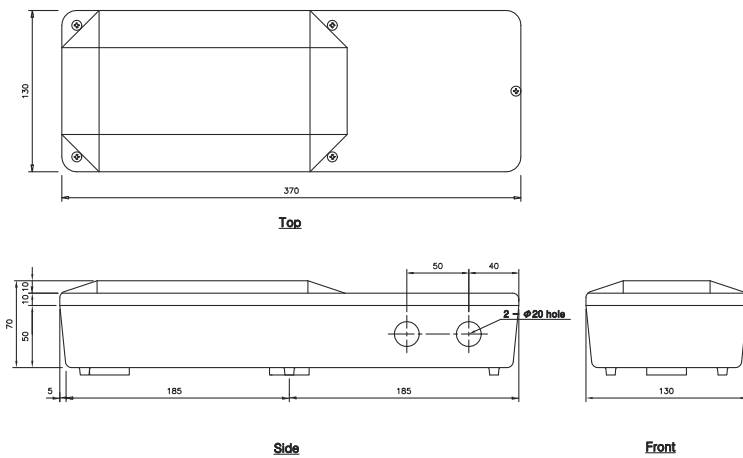
● Applications

- HVAC building duct
- Fan outlet duct

Contacts rating

| | | |
|------------------------|-----|----------|
| Alarm Initiation(SPST) | 2A | 30VAC/DC |
| Alarm Auxiliary(DPDT) | 10A | 30VDC |
| Alarm Auxiliary(DPDT) | 10A | 250VAC |
| Trouble Contact(SPST) | 2A | 30VAC/DC |

● Dimensions



● Wiring

