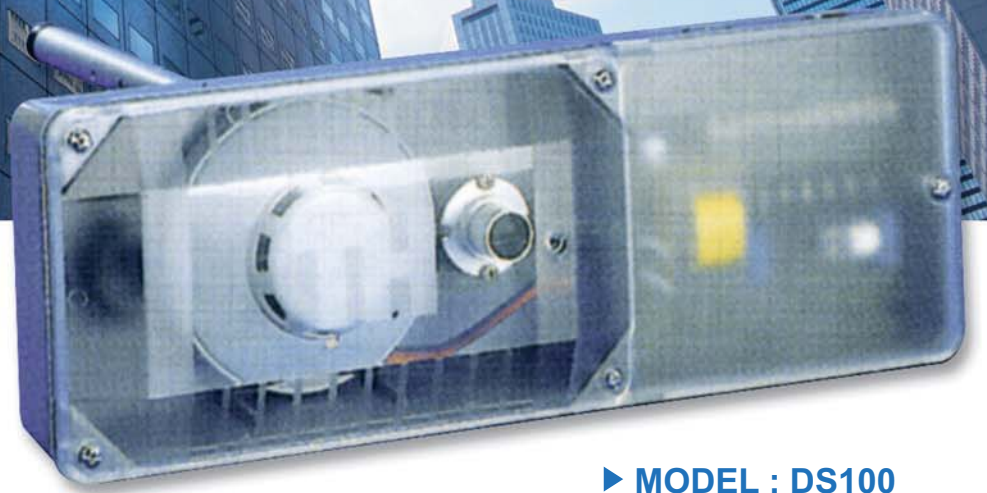


AIR DUCT SMOKE DETECTOR



▶ MODEL : DS100

DS100은 공조덕트 기류의 연기를 감지하여 출력 및 Fan 제어를 하는 기기로서, 설치 및 유지관리가 간편합니다. 다양한 기능을 갖춘 Electronics와 Air Sampling Unit에 광전식 또는 이온화식 감지기를 내장하여, 화재발생시 덕트내 기류중 연기를 감지하여 경보출력 및 FAN을 직접 제어함으로써, 덕트를 통한 연기의 확산을 방지합니다.

DS100 Duct smoke detector has a reliable electronics and air sampling unit contains either a photoelectric or an ionization sensor for required applications. This unit can detect smoke in duct air stream and alarm outputs for remote monitoring and control of the fan shut-off in the event of fire in the building

AIR DUCT SMOKE DETECTOR

● Features

- Simple replacement of smoke sensor head
- Air sampling probe included
- Universal power supply available

● Specifications

Supply voltage	24VAC/DC, 110/220VAC
Air duct velocity	0.5 to 20m/s
Temperature limit	
Operating	0-50°C
Storage	-20 to 70°C
Operating humidity	10-95%RH
Warranty	1 year

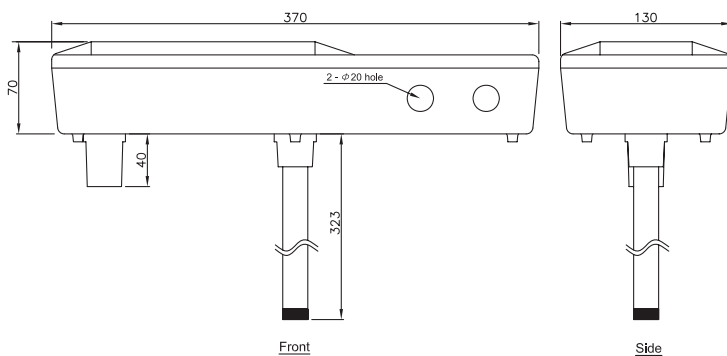
● Applications

- HVAC building duct
- Fan outlet duct

Contacts rating

Alarm Initiation(SPST)	2A	30VAC/DC
Alarm Auxiliary(DPDT)	10A	30VDC
Alarm Auxiliary(DPDT)	10A	250VAC
Trouble Contact(SPST)	2A	30VAC/DC

● Dimensions



● Wiring

