

2PORT SOLENOID VALVES

Nomally closed type

VPS 21 Series

Pilot type



Model No. Indication method

VPS 21 **3** - **A220** **B**

① ② ③

- ① (Pipe size)
 3 : PT 3/8 7 : PT 1 1/4
 4 : PT 1/2 8 : PT 1 1/2
 5 : PT 3/4 9 : PT 2
 6 : PT 1
- ② (Coil Voltage)
 A220 : AC220V
 A110 : AC110V
 D24 : DC24V
 D12 : DC12V
- ③ (Coil)
 B : Bonnet Steel Cover, Lead wire
 M : Mold Lead wire, Lamp
 D : Din Connector
 DL : Din Connector, Lamp

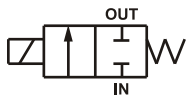
Speci Fications

(Fluid)	, , (AIR, Water, Steam)	
(Fluid Temp)	- 10 ~ 180 (AIR, Water, Steam)	
(AmbientTemp)	- 10 ~ 60 (freezing is forbidden)	
(Insulation class)	H	
(Watts)	B	AC : 10 W DC : 16 W
	M, D, DL	AC : 9 W DC : 12 W
(Voltage allow)	± 10 %	
(Body material)	(Brass)	
(seat material)	PTFE	

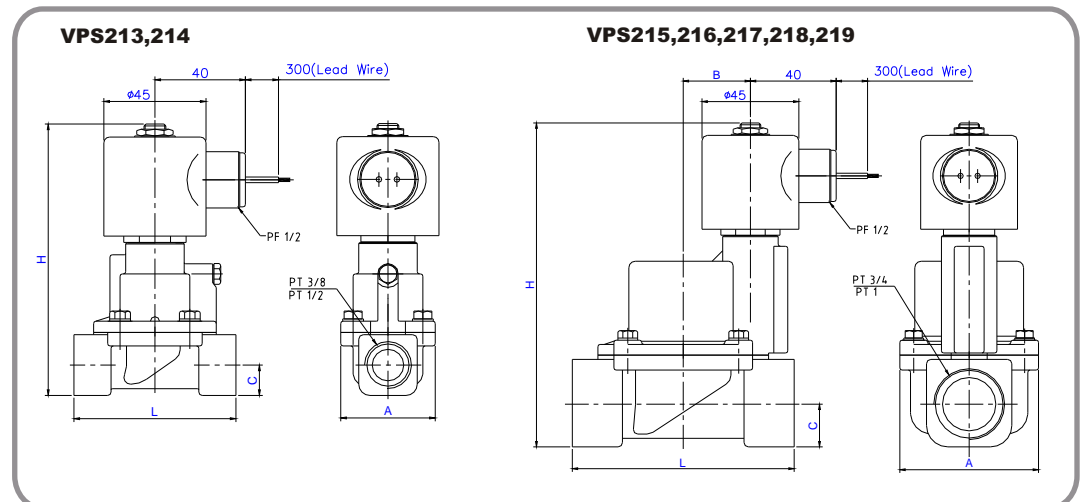
Model

VPS21	3	4	5	6	7	8	9
Pipe Size (PT)	3/8	1/2	3/4	1	1 1/4	1 1/2	2
Efficient Area (cm ²)	60	60	175	220	540	640	800
CV	3.5	3.5	9.5	12	30	35	43
Orifice (mm)	13	13	25	25	40	40	50
Working press (kg/cm ²)	0.3-10	0.3-10	0.3-10	0.3-10	0.3-10	0.3-10	0.3-10
Weight	0.6 kg	0.6 kg	1.1 kg	1.1 kg	3.1 kg	2.9 kg	4.3 kg

Symbol



Dimensions



VPSH	L	H	A	PT
213,4	72	121	42	3/8, 1/2
215,6	104	152	65	3/4, 1
217,8	145	185	102	1 1/4, 1 1/2
219	172	211	118	2