

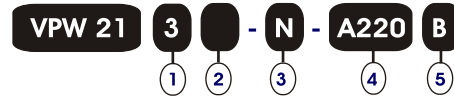
# 2PORT SOLENOID VALVES

Nomally closed type

## VPW 2 Series

Pilot type

형번표시방법 Model No. Indication method



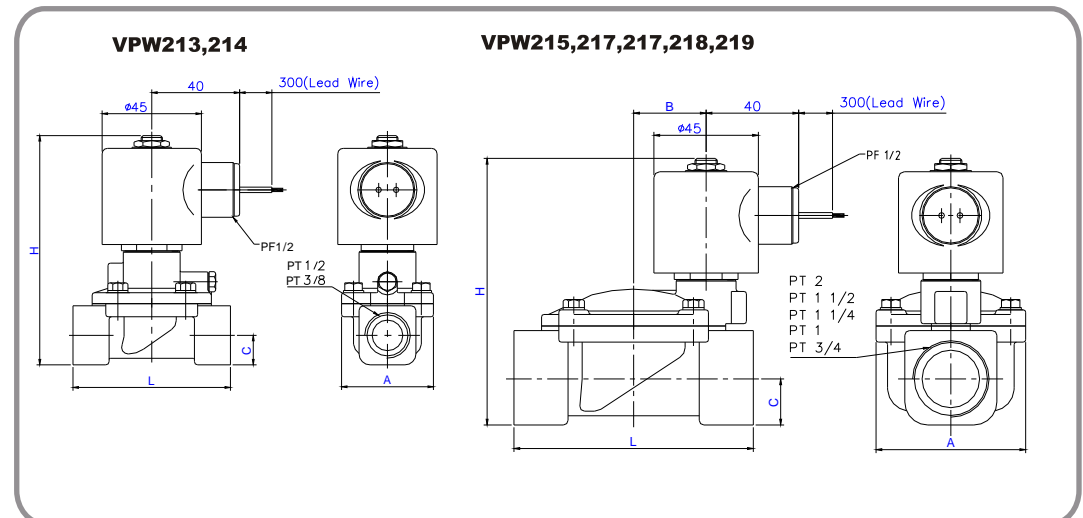
- ① 접속구경 (Pipe size)  
3 : PT 3/8    7 : PT 1 1/4  
4 : PT 1/2    8 : PT 1 1/2  
5 : PT 3/4    9 : PT 2  
6 : PT 1
- ② 바디재질 (Body material)  
무기호 : Brass  
S : Steiness
- ③ 시트재질 (seat material)  
N : HNBR  
V : Viton  
E : EPDM
- ④ 코일전압 (Coil Voltage)  
A220 : AC220V  
A110 : AC110V  
D24 : DC24V  
D12 : DC12V
- ⑤ 코일 (Coil)  
B : Bonnet Steel Cover, Lead wire  
M : Mold Lead wire, Lamp  
D : Din Connector  
DL : Din Connector, Lamp



사양서	Speci Fications	
사용유체 (Fluid)	공기, 물, 오일, 가스(AIR, Water, Oil, Cas)	
유체온도 (Fluid Temp)	-10 ~ 60 °C (AIR, Water, Oil, Cas)	
주위온도 (AmbientTemp)	-10 ~60 °C (freezing is forbidden)	
절연종별 (Insulation class)	B	
소비전력 (Watts)	B	AC : 10 W    DC : 16 W
	M, D, DL	AC : 9 W    DC : 12 W
전압보장율 (Voltage allow)	± 10 %	
몸체재질 (Body material)	황동 (Brass)	
시트재질 (seat material)	HNBR / EPDM, VITON	

모델	Model							
VPW21	3	4	5	6	7	8	9	
접속구경 (PT Pipe Size)	3/8	1/2	3/4	1	1 1/4	1 1/2	2	
유효단면적 (or) Efficiant Area	60	60	175	220	540	640	800	
유량계수 CV	3.5	3.5	9.5	12	30	35	43	
오리피스 (mm) Orifice	13	13	25	25	40	40	50	
사용저압력 (kg/cm) Working press	0.3~20	0.3~20	0.3~20	0.3~20	0.3~10	0.3~10	0.3~10	
중량 Weight	0.6 kg	0.6 kg	1.1 kg	1.1 kg	3.1 kg	2.9 kg	4.3 kg	

외형도 Dimensions



VPW	A	B	C	H	L	PT
213,4	42	8	13.5	105	72	3/8, 1/2
215,6	65	31.5	20	116	104	3/4, 1
217,8	102	00	00	138	145	1 1/4, 1 1/2
219	118	00	00	153	172	2

