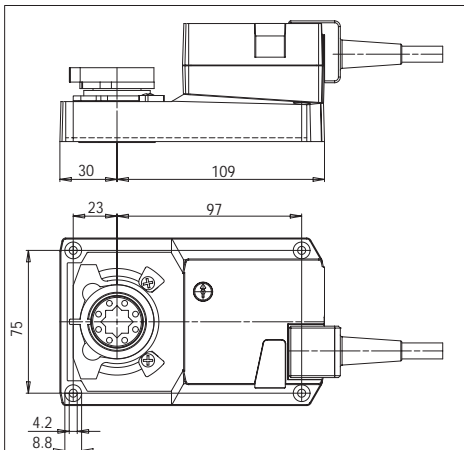
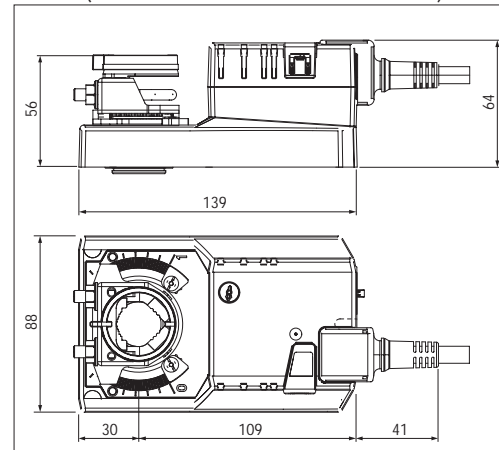
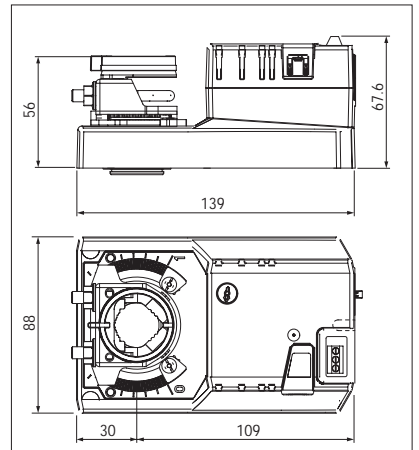


- For operation of air control dampers in HVAC system.
- Dampers up to approx. 4 m<sup>2</sup> (See 'Actuator sizing' page for detail)
- Torque 20 Nm
- Nominal voltage AC/DC 24 V
- Control: Open/Close or 3-point


**Technical data**

<b>Electrical data</b>	Nominal voltage	AC 24 V 50/60 Hz, DC 24 V	
	Nominal voltage range	AC / DC 19.2 ... 28.8 V	
	Power consumption	2 W @ running / 0.2 W @ holding	
	Wire sizing	4 VA	
	Max. peak current	2.7 A @ 5 ms	
	Auxiliary switch SMU24-S	1 SPDT, 1 mA ... 3 (0.5) A, AC 250 V, adjustable <input type="checkbox"/>	
<b>Functional data</b>	Connection : Motor	Cable 1 m, 3 x 0.75 mm <sup>2</sup>	
	Auxiliary switch (SMU24-S)	Cable 1 m, 3 x 0.75 mm <sup>2</sup>	
	Terminals (SMU24-T)	max. 3 x 1.5 mm <sup>2</sup>	
	Torque	20 Nm	
	Direction of rotation	selectable by switch	
	Manual operation	Gearing disengaged by pressing the pushbutton, manual operate while the button is held depressed.	
	Angle of rotation	max. 95°, adjustable by mechanical stops	
	Running time	150 s for 95°	
	Sound power level	max. 45 dB (A)	
	Position indication	mechanical, remote visible	
	<b>Working conditions</b>	Protection class	III (safety low voltage)
		Degree of protection: SMU24(-S/F)	IP54 in any direction
SMU24-T		IP20	
EMC		CE according to 89/336/EEC	
Mode of operation		Type 1 to EN 60730-1	
Ambient temperature		-30 ... +50°C	
<b>Dimensions / weight</b>	Non-operation temperature	-40 ... +80°C	
	Humidity test	95% RH, non condensing (EN 60730-1)	
	Maintenance	maintenance free	
	Dimensions (L x W x H)	See 'Dimensions'	
	Shaft length	min. 42 mm (20mm with standard K-SA)	
	Shaft: SMU24(-T/S)	⌀ 10 ... 20 mm (10 ... 26.7 mm with K-ENSA)	
SMU24-F	12 x 12 mm		
Weight	approx. 1050 g		

**Dimensions**
**measurement [mm]**
**SMU24-F**

**SMU24(SMU24-S has the same dimensions)**

**SMU24-T**




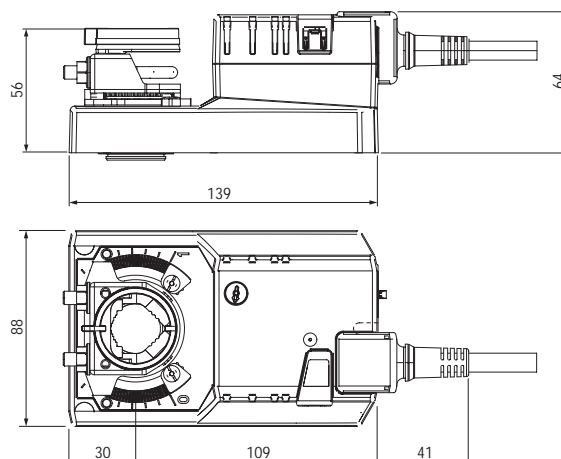
- For operation of air control dampers in HVAC system.
- Dampers up to approx. 4 m<sup>2</sup> (See 'Actuator sizing' page for detail)
- Torque 20 Nm
- Nominal voltage AC/DC 24 V
- Control: DC 0 ... 10 V
- Position feedback: DC 2 ... 10 V

Technical data

<i>Electrical data</i>	Nominal voltage	AC 24 V 50/60 Hz, DC 24 V
	Nominal voltage range	AC/DC 19.2 ... 28.8 V
	Power consumption	2 W @ running / 0.4 W @ holding
	Wire sizing	4 VA
	Max. peak current	2.7 A @ 5 ms
<i>Functional data</i>	Connection cable	Cable 1 m, 4 x 0.75 mm <sup>2</sup>
	Torque	20 Nm
	Control Signal	0...10 VDC (input impedance 100kΩ)
	Operating range	2...10 VDC
	Measurement Voltage	2...10 VDC, max. 1 mA
	Direction of rotation	selectable by switch
	Manual operation	Gearing disengaged by pressing the pushbutton, manual operate while the button is held depressed.
	Angle of rotation	max. 95°, adjustable by mechanical stops
	Running time	150 s for 95°
	Sound power level	max. 45 dB (A)
<i>Working conditions</i>	Position indication	mechanical, remote visible
	Protection class	III (safety low voltage)
	Degree of protection	IP54 in any direction
	EMC	CE according to 89/336/EEC
	Mode of operation	Type 1 to EN 60730-1
	Ambient temperature	-30 ... +50°C
	Non-operation temperature	-40 ... +80°C
	Humidity test	95% RH, non condensing (EN 60730-1)
	Maintenance	maintenance free
	<i>Dimensions / weight</i>	Dimensions (L x W x H)
Shaft length		min. 42 mm (20 mm with standard K-SA)
Shaft		⌀ 10 ... 20 mm (10 ... 26.7 mm with K-ENSA)
Weight		approx. 1050 g

Dimensions

measurement [mm]



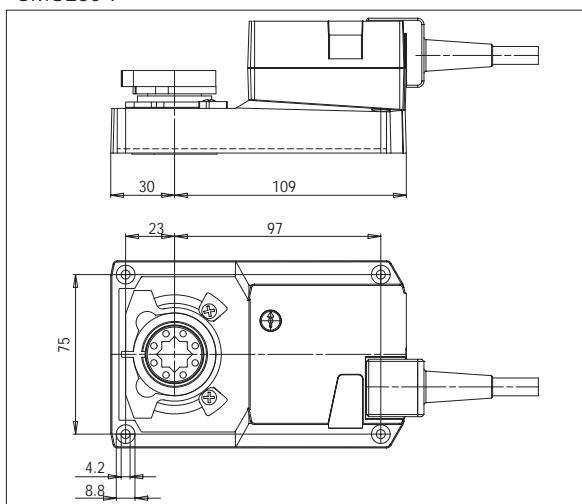
- For operation of air control dampers in HVAC system.
- Dampers up to approx. 4 m<sup>2</sup> (See 'Actuator sizing' page for detail)
- Torque 20 Nm
- Nominal voltage AC 100~240 V
- Control: Open/Close or 3-point


**Technical data**

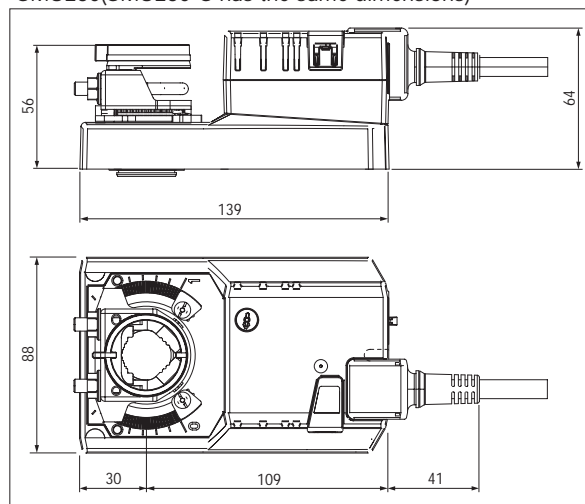
<b>Electrical data</b>	Nominal voltage	AC 100~240 V, 50/60 Hz
	Nominal voltage range	AC 85 ... 265 V
	Power consumption	2.5 W @ running / 0.6 W @ holding
	Wire sizing	6 VA
	Inrush current	3.5 A @ 230VAC
	Auxiliary switch SMU230-S	1 SPDT, 1 mA ... 3 (0.5) A, AC 250 V, adjustable <input type="checkbox"/>
	Connection : Motor	Cable 1 m, 3 x 0.75 mm <sup>2</sup>
	Auxiliary switch (SMU230-S)	Cable 1 m, 3 x 0.75 mm <sup>2</sup>
<b>Functional data</b>	Torque	20 Nm
	Direction of rotation	selectable by switch
	Manual operation	Gearing disengaged by pressing the pushbutton, manual operate while the button is held depressed.
	Angle of rotation	max. 95°, adjustable by mechanical stops
	Running time	150 s for 95°
	Sound power level	max. 45 dB (A)
	Position indication	mechanical, remote visible
<b>Working conditions</b>	Protection class	II (Totally insulated) <input type="checkbox"/>
	Degree of protection	IP54 in any direction
	EMC	CE according to 89/336/EEC
	Low voltage directive	CE according to 73/23/EEC
	Mode of operation	Type 1 to EN 60730-1
	Ambient temperature	-30 ... +50°C
	Non-operation temperature	-40 ... +80°C
<b>Dimensions / weight</b>	Humidity test	95% RH, non condensing (EN 60730-1)
	Maintenance	maintenance free
	Dimensions (L x W x H)	180 x 88 x 64 mm
	Shaft length	min. 42 mm (20mm with standard K-SA)
	Shaft: SMU230(-S)	⌀I⊢10 ... 20 mm (10 ... 26.7 mm with K-ENSA)
	SMU230-F	12 x 12 mm
	Weight	approx. 1050 g

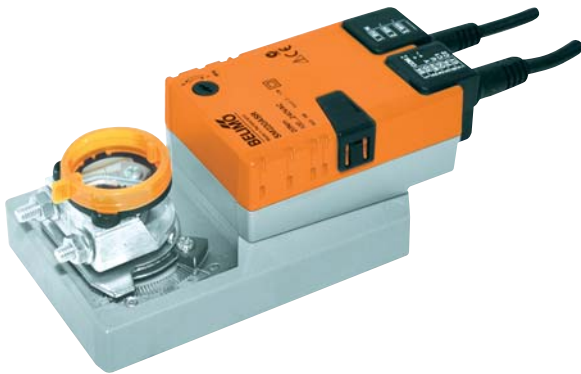
**Dimensions**
**measurement [mm]**

SMU230-F



SMU230(SMU230-S has the same dimensions)





- For operation of air control dampers in HVAC system.
- Dampers up to approx. 4 m<sup>2</sup> (See 'Actuator sizing' page for detail)
- Torque 20 Nm
- Nominal voltage AC 100 ... 240 V
- Control: DC 0... 10 V
- Position feedback: DC 2 ... 10 V

Technical data

<i>Electrical data</i>	Nominal voltage	AC 100 ... 240 V, 50/60 Hz
	Nominal voltage range	AC 85 ... 265 V
	Power consumption	3.5 W @ running / 1 W @ holding
	Wire sizing	6.5 VA
	Max. peak current	3.5 A @ 230VAC
	Connection cable: Power supply	Cable 1 m, 2 x 0.75 mm <sup>2</sup>
	Signals	Cable 1 m, 4 x 0.75 mm <sup>2</sup>
<i>Functional data</i>	Torque	20 Nm
	Control signal	0...10 VDC (input impedance 100kΩ)
	Operating range	2...10 VDC
	Measurement voltage	2...10 VDC, max. 1 mA
	Direction of rotation	selectable by switch
	Manual operation	Gearing disengaged by pressing the pushbutton, manual operate while the button is held depressed.
	Angle of rotation	max. 95°, adjustable by mechanical stops
	Running time	150 s for 95°
<i>Working conditions</i>	Sound power level	max. 45 dB (A)
	Position indication	mechanical, remote visible
	Protection class	II (Totally insulated) <input type="checkbox"/>
	Degree of protection	IP54 in any direction
	EMC	CE according to 89/336/EEC
	Low voltage directive	CE according to 73/23/EEC
	Mode of operation	Type 1 to EN 60730-1
	Ambient temperature	-30 ... +50°C
	Non-operation temperature	-40 ... +80°C
	Humidity test	95% RH, non condensing (EN 60730-1)
<i>Dimensions / weight</i>	Maintenance	maintenance free
	Dimensions (L x W x H)	202 x 88 x 64 mm
	Shaft length	min. 42 mm (20mm with standard K-SA)
	Shaft	⌀ 10 ... 20 mm (10 ... 26.7 mm with K-ENSA)
	Weight	1200 g

Dimensions

measurement [mm]

