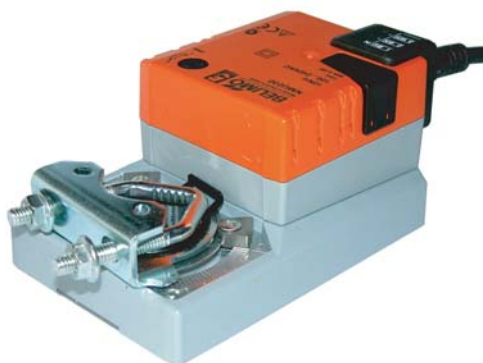


- For operation of air control dampers in HVAC system.
- Dampers up to approx. 2 m² (See 'Actuator sizing' page for detail)
- Torque 10 Nm
- Nominal voltage AC/DC 24 V
- Control: Open/Close or 3-point


Technical data

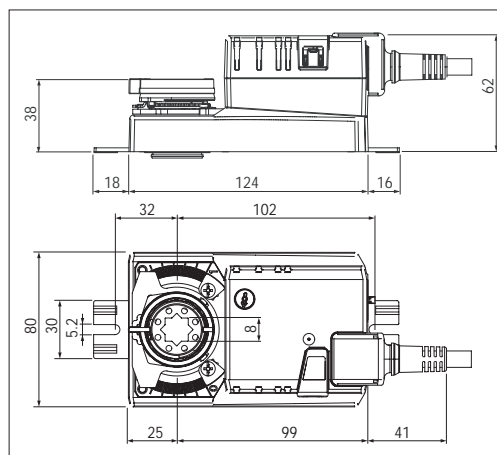
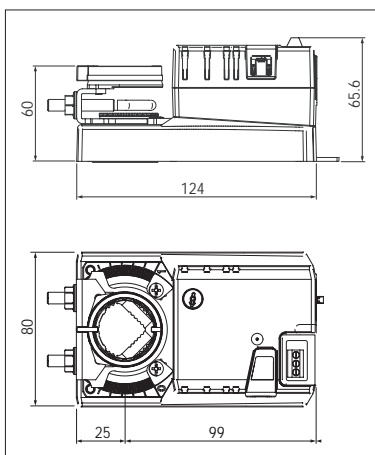
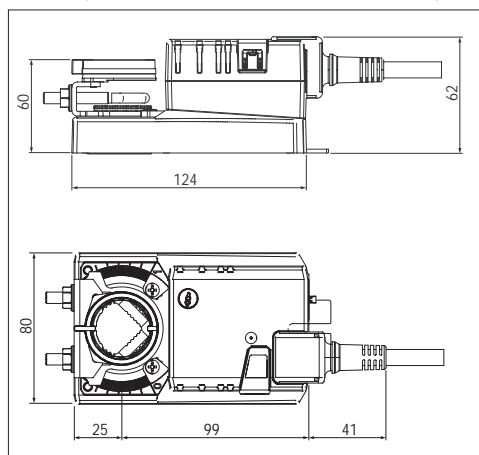
Electrical data	Nominal voltage	AC 24 V 50/60 Hz, DC 24 V
	Nominal voltage range	AC / DC 19.2 ... 28.8 V
	Power consumption	1.5 W @ running / 0.2 W @ holding
	Wire sizing	3.5 VA
	Max. peak current	2.7 A @ 5 ms
	Auxiliary switch NMU24-S	1 SPDT, 1 mA ... 3 (0.5) A, AC 250 V, adjustable <input type="checkbox"/>
	Connection : Motor NMU24(-S/-F)	Cable 1 m, 3 x 0.75 mm ²
	Auxiliary switch NMU24-S Terminals NMU24-T	Cable 1 m, 3 x 0.75 mm ² max. 3 x 1.5 mm ²
Functional data	Torque	10 Nm
	Direction of rotation	selectable by switch
	Manual operation	Gearing disengaged by pressing the pushbutton, manual operate while the button is held depressed.
	Angle of rotation	max. 95°, adjustable by mechanical stops
	Running time	150 s for 95°
	Sound power level	max. 35 dB (A)
	Position indication	mechanical, remote visible
Working conditions	Protection class	III (safety low voltage)
	Degree of protection: NMU24(-S/F)	IP54 in any direction
	NMU24-T	IP20
	EMC	CE according to 89/336/EEC
	Mode of operation	Type 1 to EN 60730-1
	Ambient temperature	-30 ... +50°C
	Non-operation temperature	-40 ... +80°C
Dimensions / weight	Humidity test	95% RH, non condensing (EN 60730-1)
	Maintenance	maintenance free
	Dimensions (L x W x H)	See 'Dimensions'
	Shaft length	min. 40 mm (20mm with K-NA)
	Shaft: NMU24(-T/S)	⌀ 8 ... 26.7 mm (8 ... 20 mm with K-NA)
	NMU24-F	8 x 8 mm
	Weight	approx. 750 g

Dimensions
measurement [mm]

NMU24(NMU24-S has the same dimensions)

NMU24-T

NMU24-F



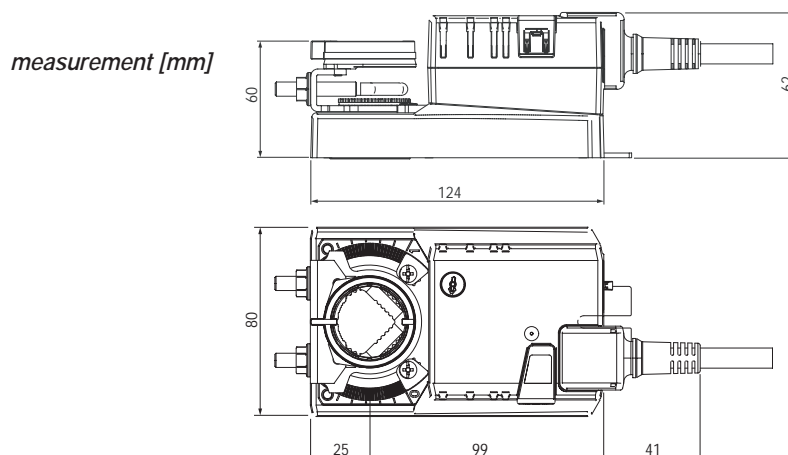


- For operation of air control dampers in HVAC system.
- Dampers up to approx. 2 m² (See 'Actuator sizing' page for detail)
- Torque 10 Nm
- Nominal voltage AC/DC 24 V
- Control: DC 0 ... 10 V
- Position feedback: DC 2 ... 10 V

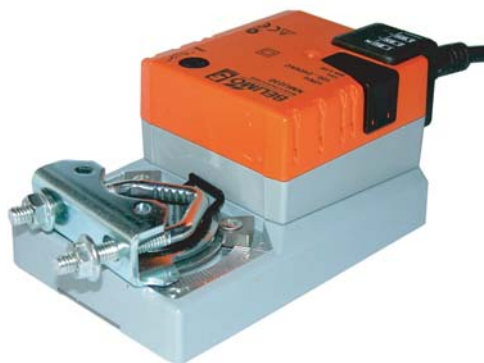
Technical data

<i>Electrical data</i>	Nominal voltage	AC 24 V 50/60 Hz, DC 24 V
	Nominal voltage range	AC/DC 19.2 ... 28.8 V
	Power consumption	2 W @ running / 0.4 W @ holding
	Wire sizing	4 VA
	Max. peak current	2.7 A @ 5 ms
<i>Functional data</i>	Connection	Cable 1 m, 4 x 0.75 mm ²
	Torque	10 Nm
	Control signal	0...10 VDC (input impedance 100kΩ)
	Operating range	2...10 VDC
	Measurement voltage	2...10 VDC, max. 1 mA
	Direction of rotation	selectable by switch
	Manual operation	Gearing disengaged by pressing the pushbutton, manual operate while the button is held depressed.
	Angle of rotation	max. 95°, adjustable by mechanical stops
	Running time	150 s for 95°
	Sound power level	max. 35 dB (A)
	Position indication	mechanical, remote visible
	<i>Working conditions</i>	Protection class
Degree of protection		IP54 in any direction
EMC		CE according to 89/336/EEC
Mode of operation		Type 1 to EN 60730-1
Ambient temperature		-30 ... +50°C
Non-operation temperature		-40 ... +80°C
Humidity test		95% RH, non condensing (EN 60730-1)
<i>Dimensions / weight</i>	Maintenance	maintenance free
	Dimensions (L x W x H)	165x 80 x 62 mm
	Shaft length	min. 40 mm (20mm with K-NA)
	Shaft	⌀ 8 ... 26.7 mm (8 ... 20 mm with K-NA)
	Weight	750 g

Dimensions



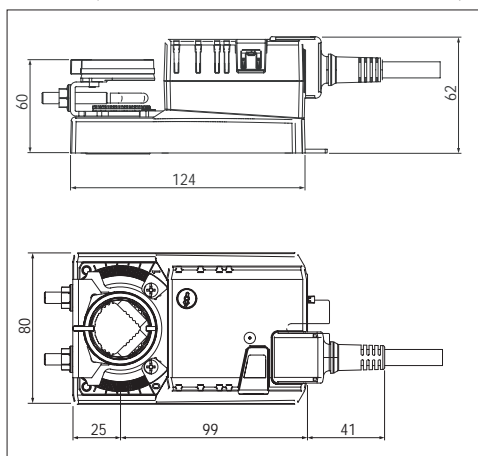
- For operation of air control dampers in HVAC system.
- Dampers up to approx. 2 m² (See 'Actuator sizing' page for detail)
- Torque 10 Nm
- Nominal voltage AC 100~240 V
- Control: Open/Close or 3-point


Technical data

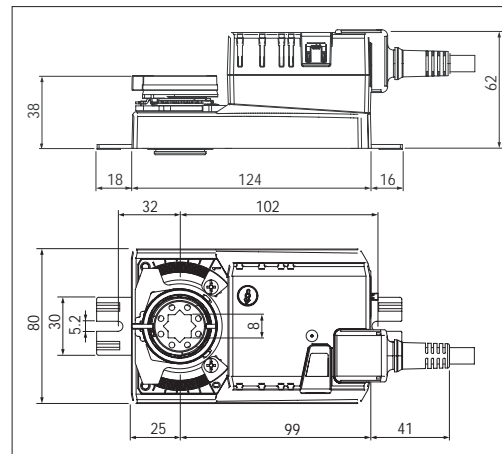
Electrical data	Nominal voltage	AC 100~240 V, 50/60 Hz
	Nominal voltage range	AC 85 ... 265 V
	Power consumption	2.5 W @ running / 0.6 W @ holding
	Wire sizing	5.5 VA
	Max. peak current	3.5 A @ 230VAC
	Auxiliary switch NMU230-S	1 SPDT, 1 mA ... 3 (0.5) A, AC 250 V, adjustable <input type="checkbox"/>
	Connection : Motor	Cable 1 m, 3 x 0.75 mm ²
	Auxiliary switch (NMU230-S)	Cable 1 m, 3 x 0.75 mm ²
Functional data	Torque	10 Nm
	Direction of rotation	selectable by switch
	Manual operation	Gearing disengaged by pressing the pushbutton, manual operate while the button is held depressed.
	Angle of rotation	max. 95°, adjustable by mechanical stops
	Running time	150 s for 95°
	Sound power level	max. 35 dB (A)
	Position indication	mechanical, remote visible
Working conditions	Protection class	II (Totally insulated) <input type="checkbox"/>
	Degree of protection	IP54 in any direction
	EMC	CE according to 89/336/EEC
	Low voltage directive	CE according to 73/23/EEC
	Mode of operation	Type 1 to EN 60730-1
	Ambient temperature	-30 ... +50°C
	Non-operation temperature	-40 ... +80°C
Dimensions / weight	Humidity test	95% RH, non condensing (EN 60730-1)
	Maintenance	maintenance free
	Dimensions (L x W x H)	See 'Dimensions'
	Shaft length	min. 40 mm (20mm with K-NA)
	Shaft: NMU230(-S)	⌀ I ⬠ 8 ... 26.7 mm (8 ... 20 mm with K-NA)
	NMU230-F	8 x 8 mm
	Weight	approx. 800 g

Dimensions
measurement [mm]

NMU230(NMU230-S has the same dimensions)



NMU230-F





- For operation of air control dampers in HVAC system.
- Dampers up to approx. 2 m² (See 'Actuator sizing' page for detail)
- Torque 10 Nm
- Nominal voltage AC 100 ... 240 V
- Control: DC 0... 10 V
- Position feedback: DC 2 ... 10 V

Technical data

<i>Electrical data</i>	Nominal voltage	AC 100 ... 240 V , 50/60 Hz	
	Nominal voltage range	AC 85 ... 265 V	
	Power consumption	3.5 W @ running / 1 W @ holding	
	Wire sizing	6.5 VA	
	Max. peak current	3.5 A @ 230VAC	
	Connection cable: Power supply Signals	Cable 1 m, 2 x 0.75 mm ² Cable 1 m, 4 x 0.75 mm ²	
<i>Functional data</i>	Torque	10 Nm	
	Control signal	0...10 VDC (input impedance 100kΩ)	
	Operating range	2...10 VDC	
	Measurement voltage	2...10 VDC, max. 1 mA	
	Direction of rotation	selectable by switch	
	Manual operation	Gearing disengaged by pressing the pushbutton, manual operate while the button is held depressed.	
	Angle of rotation	max. 95°, adjustable by mechanical stops	
	Running time	150 s for 95°	
	Sound power level	max. 35 dB (A)	
	Position indication	mechanical, remote visible	
<i>Working conditions</i>	Protection class	II (Totally insulated) <input type="checkbox"/>	
	Degree of protection	IP54 in any direction	
	EMC	CE according to 89/336/EEC CE according to 73/23/EEC	
	Low voltage directive		
	Mode of operation	Type 1 to EN 60730-1	
	Ambient temperature	-30 ... +50°C	
	Non-operation temperature	-40 ... +80°C	
	Humidity test	95% RH, non condensing (EN 60730-1)	
<i>Maintenance</i>	Maintenance	maintenance free	
	<i>Dimensions / weight</i>	Dimensions (L x W x H)	187x 80 x 62 mm
		Shaft length	min. 40 mm (20mm with K-NA)
		Shaft	● I ◆ 8 ... 26.7 mm (8 ... 20 mm with K-NA)
		Weight	950 g

Dimensions

measurement [mm]

