

- For operation of air control dampers in HVAC system.
- Dampers up to approx. 1 m² (See 'Actuator sizing' page for detail)
- Torque 5 Nm
- Nominal voltage AC/DC 24 V
- Control: Open/Close or 3-point


Technical data

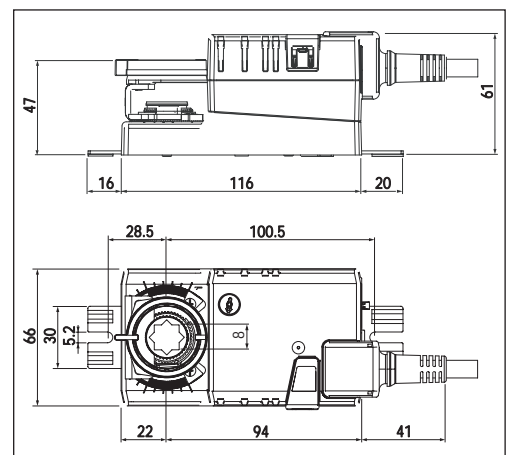
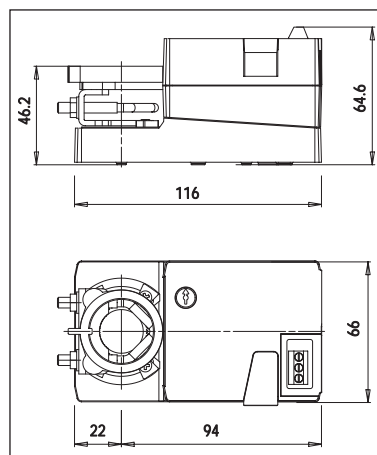
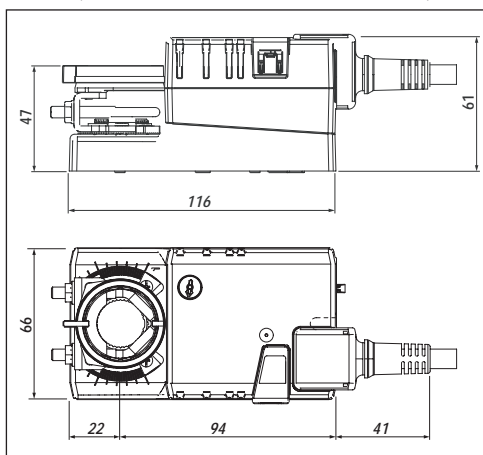
Electrical data	Nominal voltage	AC 24 V 50/60 Hz, DC 24 V
	Nominal voltage range	AC / DC 19.2 ... 28.8 V
	Power consumption	1 W @ running / 0.2 W @ holding
	Wire sizing	1.5 VA
	Max. peak current	1 A @ 5 ms
	Auxiliary switch LMU24-S	1 SPDT, 1 mA ... 3 (0.5) A, AC 250 V, adjustable <input type="checkbox"/>
	Connection : Motor LMU24(-S/-F)	Cable 1 m, 3 x 0.75 mm ²
	Auxiliary switch LMU24-S	Cable 1 m, 3 x 0.75 mm ²
	Terminals LMU24-T	max. 3 x 1.5 mm ²
Functional data	Torque	5 Nm
	Direction of rotation	selectable by switch
	Manual operation	Gearing disengaged by pressing the pushbutton, manual operate while the button is held depressed.
	Angle of rotation	max. 95°, adjustable by mechanical stops
	Running time	150 s for 95°
	Sound power level	max. 35 dB (A)
	Position indication	mechanical, remote visible
Working conditions	Protection class	III (safety low voltage)
	Degree of protection: LMU24(-S/F)	IP54 in any direction
	LMU24-T	IP20
	EMC	CE according to 89/336/EEC
	Mode of operation	Type 1 to EN 60730-1
	Ambient temperature	-30 ... +50°C
	Non-operation temperature	-40 ... +80°C
Dimensions / weight	Humidity test	95% RH, non condensing (EN 60730-1)
	Maintenance	maintenance free
	Dimensions (L x W x H)	See 'Dimensions'
	Shaft length	min. 37 mm
	Shaft : LMU24(-T/S)	⌀ I ⬠ 6 ... 20 mm
	LMU24-F	8 x 8 mm
	Weight	approx. 500 g

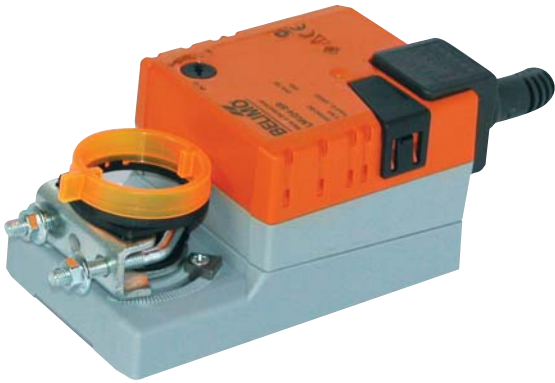
Dimensions
measurement [mm]

LMU24(LMU24-S has the same dimensions)

LMU24-T

LMU24-F



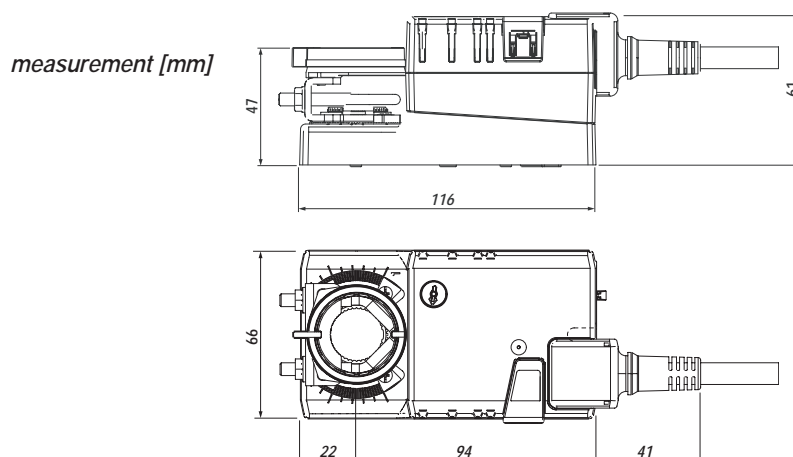


- For operation of air control dampers in HVAC system.
- Dampers up to approx. 1 m² (See 'Actuator sizing' page for detail)
- Torque 5 Nm
- Nominal voltage AC/DC 24 V
- Control: DC 0 ... 10 V
- Position feedback: DC 2 ... 10 V

Technical data

<i>Electrical data</i>	Nominal voltage	AC 24 V 50/60 Hz, DC 24 V
	Nominal voltage range	AC/DC 19.2 ... 28.8 V
	Power consumption	1 W @ running / 0.4 W @ holding
	Wire sizing	2 VA
	Max. peak current	1 A @ 5 ms
<i>Functional data</i>	Connection	Cable 1 m, 4 x 0.75 mm ²
	Torque	5 Nm
	Control signal	0...10 VDC (input impedance 100kΩ)
	Operating range	2...10 VDC
	Measurement voltage	2...10 VDC, max. 1 mA
	Direction of rotation	selectable by switch
	Manual operation	Gearing disengaged by pressing the pushbutton, manual operate while the button is held depressed.
	Angle of rotation	max. 95°, adjustable by mechanical stops
	Running time	150 s for 95°
	Sound power level	max. 35 dB (A)
<i>Working conditions</i>	Position indication	mechanical, remote visible
	Protection class	III (safety low voltage)
	Degree of protection	IP54 in any direction
	EMC	CE according to 89/336/EEC
	Mode of operation	Type 1 to EN 60730-1
	Ambient temperature	-30 ... +50°C
	Non-operation temperature	-40 ... +80°C
	Humidity test	95% RH, non condensing (EN 60730-1)
<i>Dimensions / weight</i>	Maintenance	maintenance free
	Dimensions (L x W x H)	157x 66 x 60 mm
	Shaft length	min. 37 mm
	Shaft	⌀ 6 ... 20 mm
	Weight	500 g

Dimensions



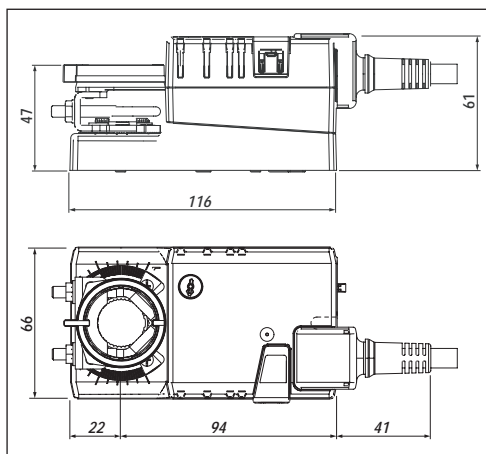
- For operation of air control dampers in HVAC system.
- Dampers up to approx. 1 m² (See 'Actuator sizing' page for detail)
- Torque 5 Nm
- Nominal voltage AC 100~240 V
- Control: Open/Close or 3-point


Technical data

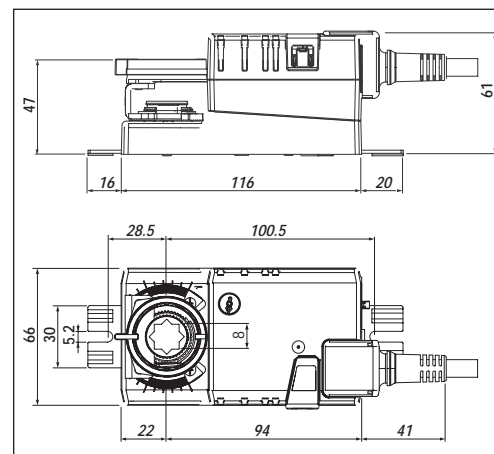
Electrical data	Nominal voltage	AC 100~240 V, 50/60 Hz
	Nominal voltage range	AC 85 ... 265 V
	Power consumption	1.5 W @ running / 0.5 W @ holding
	Wire sizing	3.5 VA
	Max. peak current	3.5 A @ 230 VAC
	Auxiliary switch LMU230-S	1 SPDT, 1 mA ... 3 (0.5) A, AC 250 V, adjustable <input type="checkbox"/>
Functional data	Connection : Motor	Cable 1 m, 3 x 0.75 mm ²
	Auxiliary switch LMU230-S	Cable 1 m, 3 x 0.75 mm ²
	Torque	5 Nm
	Direction of rotation	selectable by switch
	Manual operation	Gearing disengaged by pressing the pushbutton, manual operate while the button is held depressed.
	Angle of rotation	max. 95°, adjustable by mechanical stops
	Running time	150 s for 95°
	Sound power level	max. 35 dB (A)
	Position indication	mechanical, remote visible
	Working conditions	Protection class
Degree of protection		IP54 in any direction
EMC		CE according to 89/336/EEC
Low voltage directive		CE according to 73/23/EEC
Mode of operation		Type 1 to EN 60730-1
Ambient temperature		-30 ... +50°C
Non-operation temperature		-40 ... +80°C
Humidity test		95% RH, non condensing (EN 60730-1)
Dimensions / weight	Maintenance	maintenance free
	Dimensions (L x W x H)	See 'Dimensions'
	Shaft length	min. 37 mm
	Shaft : LMU230(-S)	⌀ I 6 ... 20 mm
	LMU230-F	8 x 8 mm
Weight	approx. 550 g	

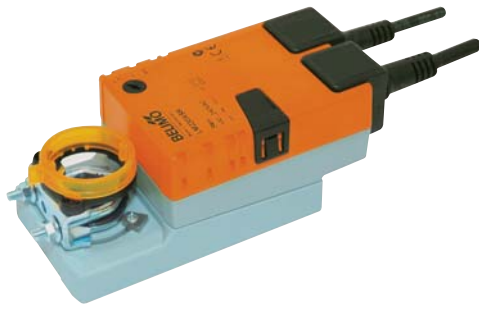
Dimensions
measurement [mm]

LMU230(LMU230-S has the same dimensions)



LMU230-F





- For operation of air control dampers in HVAC system.
- Dampers up to approx. 1 m² (See 'Actuator sizing' page for detail)
- Torque 5 Nm
- Nominal voltage AC 100 ... 240 V
- Control: DC 0... 10 V
- Position feedback: DC 2 ... 10 V

Technical data

<i>Electrical data</i>	Nominal voltage	AC 100 ... 240 V, 50/60 Hz
	Nominal voltage range	AC 85 ... 265 V
	Power consumption	2 W @ running / 1 W @ holding
	Wire sizing	4 VA
	Max. peak current	3.5 A @ 230VAC
	Connection cable: Power supply Signals	Cable 1 m, 2 x 0.75 mm ² Cable 1 m, 4 x 0.75 mm ²
<i>Functional data</i>	Torque	5 Nm
	Control signal	0...10 VDC (input impedance 100kΩ)
	Operating range	2...10 VDC
	Measurement voltage	2...10 VDC, max. 1 mA
	Direction of rotation	selectable by switch
	Manual operation	Gearing disengaged by pressing the pushbutton, manual operate while the button is held depressed.
	Angle of rotation	max. 95°, adjustable by mechanical stops
	Running time	150 s for 95°
	Sound power level	max. 35 dB (A)
	Position indication	mechanical, remote visible
<i>Working conditions</i>	Protection class	II (Totally insulated) <input type="checkbox"/>
	Degree of protection	IP54 in any direction
	EMC	CE according to 89/336/EEC CE according to 73/23/EEC
	Low voltage directive	
	Mode of operation	Type 1 to EN 60730-1
	Ambient temperature	-30 ... +50°C
	Non-operation temperature	-40 ... +80°C
	Humidity test	95% RH, non condensing (EN 60730-1)
Maintenance	maintenance free	
<i>Dimensions / weight</i>	Dimensions (L x W x H)	178x 66 x 60 mm
	Shaft length	min. 37 mm
	Shaft	⌀ I 6 ... 20 mm
	Weight	500 g

Dimensions

measurement [mm]

