

H7625/H7635

Humidity and Temperature Sensors

온습도 감지기



Wall Mount



Duck Mount



Outdoor Mount

개요

H7625, 7635, 7655는 높은 정확도의 안정적인 온습도 감지기입니다.

특성 및 규격

Model I

Model Number	RH Accuracy	Mount	Output Signal	Voltage Supply	Temperature Sensor
H7625A	2%	Room	Selectable : 4-20 mA, 0-10 Vdc, or 0-5 Vdc	18-36 Vdc or 24 Vac	20K ohm
H7635A	3%				
H7625B	2%	Duct			
H7635B	3%				
H7655B	5%				
H7635C	3%	Outdoor			

Operating RH Range | 0 to 100% RH.

Humidity Accuracy | $\pm 2\%$, $\pm 3\%$ or $\pm 5\%$ from 20 to 95% RH.

20K Ohm Temperature Accuracy | $\pm 0.4^\circ\text{F}$ at 77°F ($\pm 0.2^\circ\text{C}$ at 25°C).

20K Ohm Temperature Output Range |

- Room : 40° to 110°F (4° to 43°C).
- Duct/Outdoor : -40° to 240°F (-40° to 116°C).

Hysteresis | Less than $\pm 0.4\%$ RH.

Supply Voltage | 18 to 36 Vdc or 24 Vac.

Maximum Impedance Load | 2.42K ohms at 60 Hz.

Maximum Supply Current |

- Current Mode: 22 mA.
- Voltage Mode: 5 mA.

Finish |

- Room Enclosure: ABS Plastic (UL94-HB rated).
- Duct Enclosure: ABS Plastic (UL94-5VA rated).
- Outdoor Enclosure: ASA Plastic (UL-94V0 rated).

Compensated Temperature Range | -10 to 160°F (-23 to 71°C).

Humidity Response Time | 30 seconds.

Saturation Response Time | 10 minutes.

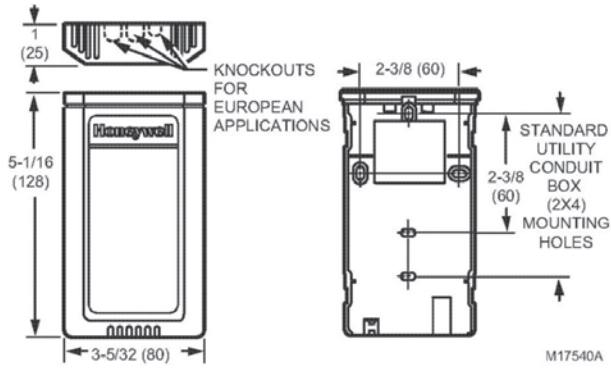
Sensitivity | 0.1%RH.

Interchangeability | Less than $\pm 3\%$ RH nominal.

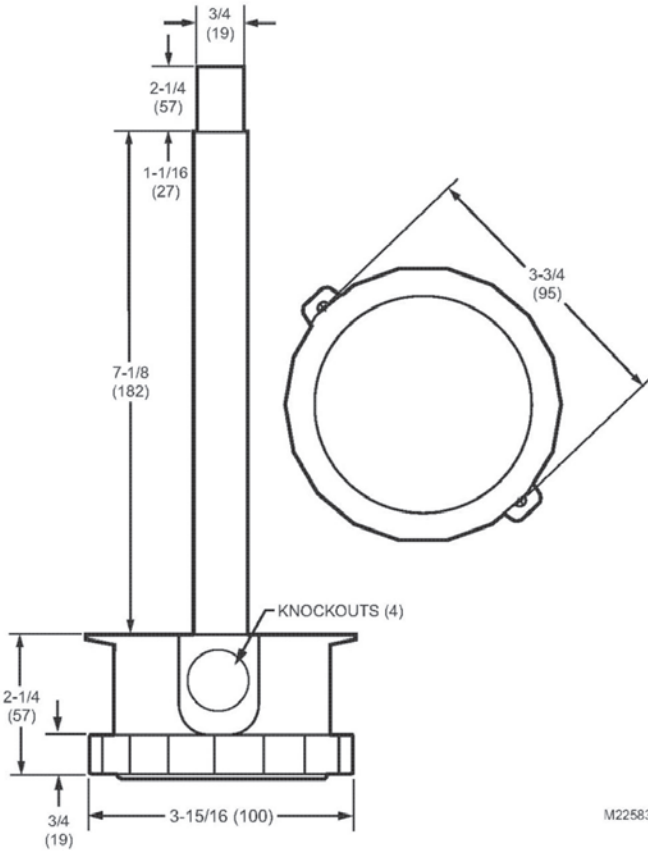
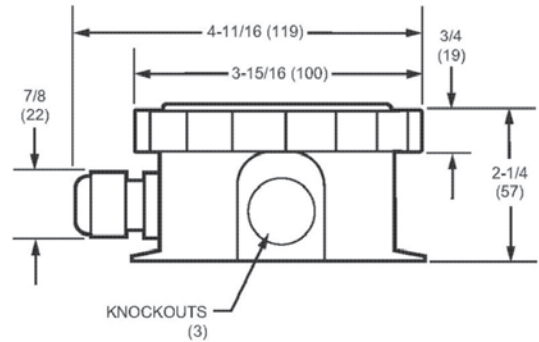
Repeatability | 0.5% RH.

Long term drift | Less than 2% RH drift/5 years.

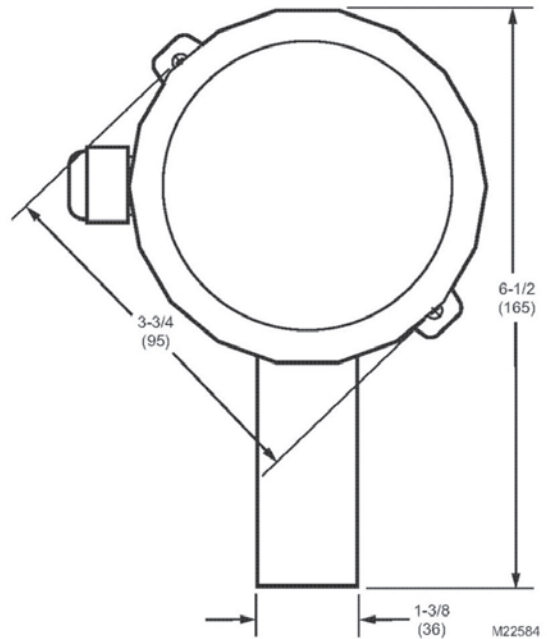
외형 및 크기 (단위 : mm)



Wall-mount sensor



Duct-mount sensor



Outdoor-mount sensor