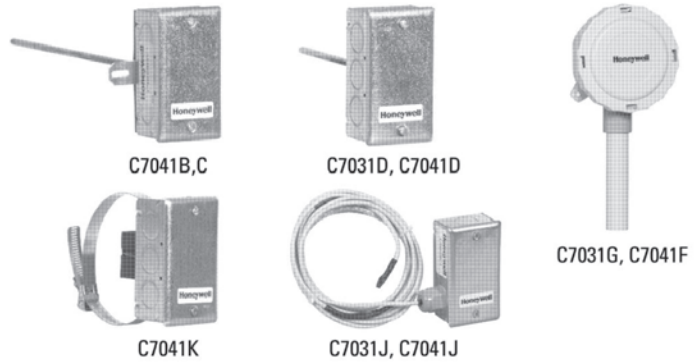


# C7041

## Electronic Temperature Sensors 전자식 온도 감지기



### 개요

C7031, 7041 전자식 온도 감지기는 히팅 및 쿨링 시스템에 전자식 콘트롤러와 함께 사용되도록 디자인되었습니다.

### 특징

- C7031D senses water temperature.
- C7031G senses outdoor air temperature and is weatherproof for outdoor use (knockouts allow for 1/2 in. conduit connection).
- C7031J senses average duct air temperature.
- C7041B,C sense duct air temperature.
- C7041D for immersion mounting senses water temperature.
- C7041F senses outdoor air temperature and is weatherproof for outdoor use (knockouts allow for 1/2 in. conduit connection).
- C7041K with strap-on mounting senses water temperature.
- C7041J senses average duct air temperature.
- Solid state components not affected by dust or dirt.

### 특성 및 규격

#### Electronic Primary Sensor Application Guide

| Model          | Control Application                                    | Element Insertion Length          | Weight in oz(kg) | Dimensions (Fig.) |
|----------------|--|-----------------------------------|------------------|-------------------|
| C7041B         | Duct discharge air                                     | 6 in. (152 mm) or 12 in. (305 mm) | 9 (0,26)         | 2                 |
| C7041C         | Duct discharge air                                     | 18 in. (457 mm)                   |                  |                   |
| C7031D, C7041D | Hot or chilled water (order immersion well separately) | 5 in. (127 mm)                    | 14 (0,40)        | 1                 |
| C7031G, C7041F | Outdoor air  | -                                 | 9 (0,26)         | 3                 |
| C7031J, C7041J | Duct discharge air (averaging sensor with 4 elements)  | 144 in. (3658 mm)                 | 12 (0,34)        | 4                 |
| C7041K         | Hot water (strap-on mounting)                          | <sup>a</sup>                      | 13 (0,37)        | 5                 |

<sup>a</sup> Strap-on model not equipped with well; temperature sensed at surface of pipe.

#### Specifications of the C7031 Sensors used with the W927 Controller

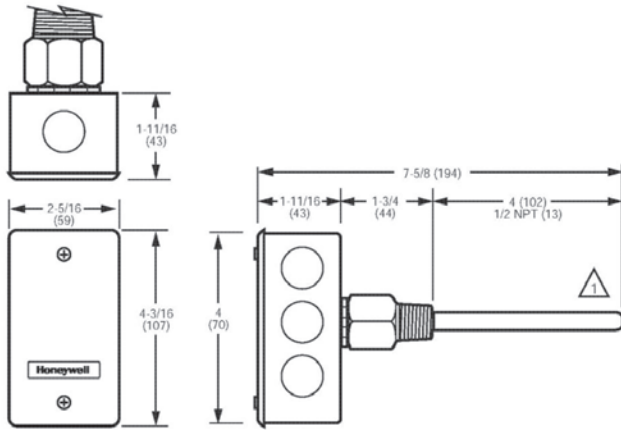
| Model                       | Element Operating Range           | Element Maximum Ambient Temperature | Sensor Resistance in ohms          | Control Sensitivity in ohms per degree F (per degree C) for element operating range |
|-----------------------------|-----------------------------------|-------------------------------------|------------------------------------|---|
| 20K ohm Models <sup>a</sup> |                                   |                                     |                                    |   |
| C7041B,C,D,F,J,K            | -40°Δ to 250°ΔF (-40°Δ to 121°ΔC) | 250°ΔF (121°ΔC)                     | 20,000 at 77°ΔF (25°ΔC)            | -   |
| C7031 Sensors               |                                   |                                     |                                    |   |
| C7031G2006                  | -40°Δ to 120°ΔF (-40°Δ to 49°ΔC)  | 120°ΔF (49°ΔC)                      | 1715 at 90°ΔF (32°ΔC)              | 2,2 (3,4)   |
| C7031D2003                  | 40°Δ to 240°ΔF (4°Δ to 115°ΔC)    | 250°ΔF (121°ΔC)                     | 1097 at 77°ΔF (25°ΔC) <sup>b</sup> | 2,1 (3,9)   |
| C7031J2009                  | 40°Δ to 180°ΔF (4°Δ to 82°ΔC)     | 250°ΔF (121°ΔC)                     |                                    |   |
| C7031G2014 <sup>c</sup>     | -40°Δ to 120°ΔF (-40°Δ to 49°ΔC)  | 120°ΔF (49°ΔC)                      | 3484 at 77°ΔF (25°ΔC) <sup>b</sup> | 2,1 (3,9)   |

<sup>a</sup> Nonlinear resistance decreases as temperature increases.

<sup>b</sup> Resistance increases as temperature increases.

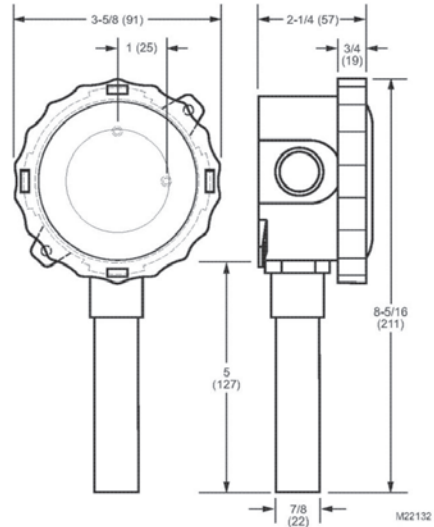
<sup>c</sup> Use with T7350 Commercial Thermostat

외형 및 크기 (단위 : mm)

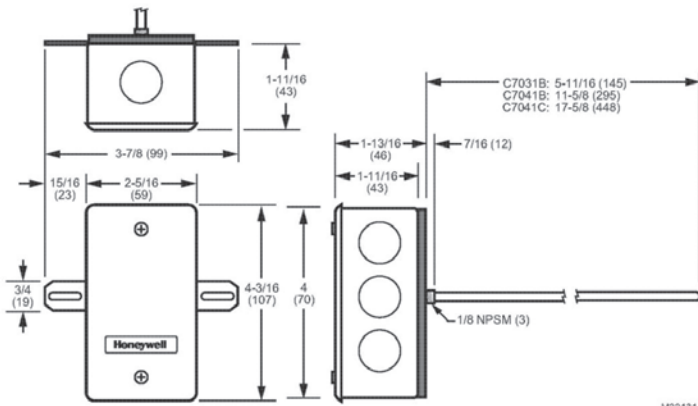


⚠ WELL ASSEMBLY NOT INCLUDED WITH C7041D. PURCHASE WELL SEPARATELY. M22130

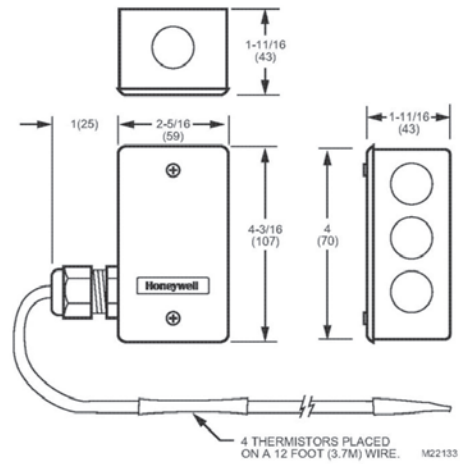
C7031D, C7041D



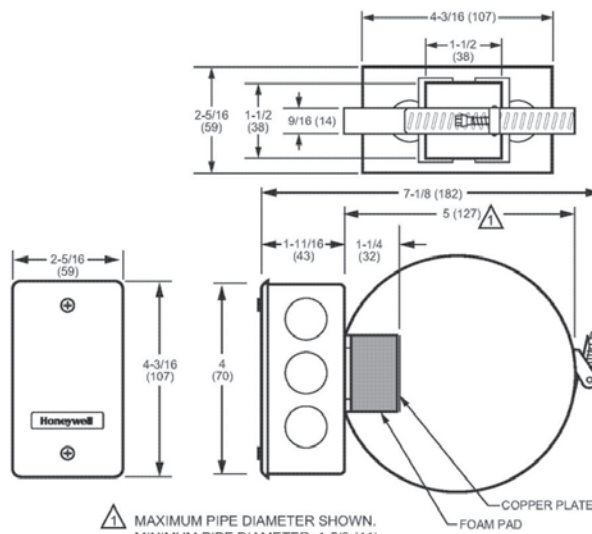
C7031G, C7041F



C7041B,C



C7031J, C7041J



⚠ MAXIMUM PIPE DIAMETER SHOWN. MINIMUM PIPE DIAMETER: 1-5/8 (41)

C7041K