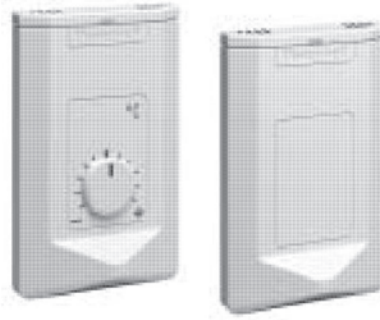


C7031

Room Temperature Sensors

실내 온도 감지기



개요

전자식 온도 감지기이며 W927, EXCEL 80/100/500과 함께 사용되도록 디자인되었습니다.

특징

- C7031B,C,D,J sense duct air temperature.
- C7031B,D,K sense water temperature.
- C7031F,G sense outdoor air temperature.
- C7031K with strap-on mounting senses water temperature.
- C7031J senses average duct air temperature.
- Separate models available for use as primary or secondary sensors.
- Solid state components not affected by dust or dirt.
- Primary sensors C7031B,C,D,F,J,K can be used with a remote setpoint potentiometer.
- C7031D immersion sensor supplied complete with a separate well assembly.

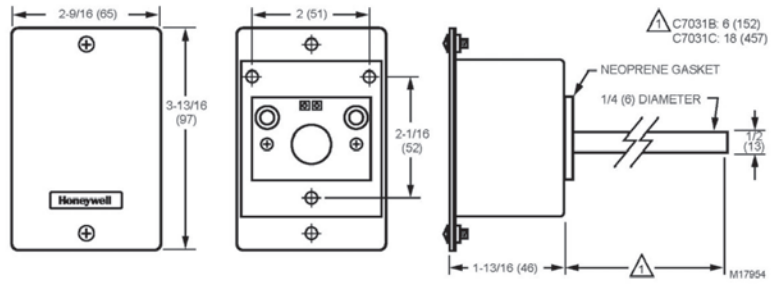
특성 및 규격

Model	Control Application	Controller Used With	Sensor Type ^a
C7031B	Duct discharge air or hot water (order immersion well separately)		
1009		W927G,H,J	NTC Thermistor
1033		Excel 500, 100, 80, IRC	20k ohm NTC Thermistor
C7031	Duct discharge air		
1007		W927G,H,J	NTC Thermistor
1031		Excel 500, 100, 80, IRC	20k ohm NTC Thermistor
C7031D	Hot or chilled water (includes immersion well)		
1005		W927G,H,J	NTC Thermistor
1047 ^b		W927H,J	
1062		Excel 500, 100, 80, IRC	20k ohm NTC Thermistor
1070		Excel 500	PT1000
C7031F	Outdoor air		
1018		Excel 500, 100, 80, IRC	20k ohm NTC Thermistor
1026		Excel 500	PT1000
C7031J	Duct discharge air (averaging sensor with 4 elements)		
1001 ^b		W927G,H,J	NTC Thermistor
1050		Excel 500, 100, 80, IRC	20k ohm NTC Thermistor
1068		Excel 500	PT1000
C7031K	Hot water (strap-on mounting)		
1009 ^b		W927G,H,J NTC	Thermistor
1017		Excel 500, 100, 80, IRC	20k ohm NTC Thermistor
1025		Excel 500	PT1000

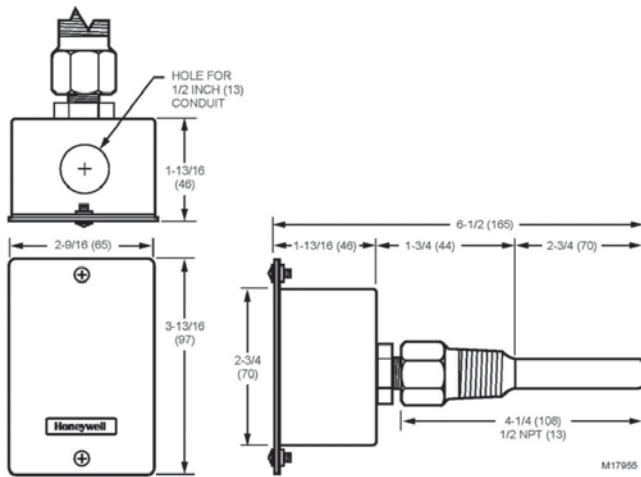
^a See Tables 4 and 5 for thermistor specifications; see Table 6 for PT1000 platinum sensor specifications.

^b Obsolete at time of printing.

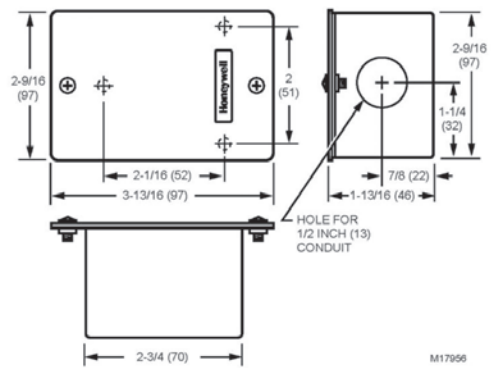
외형 및 크기 (단위 : mm)



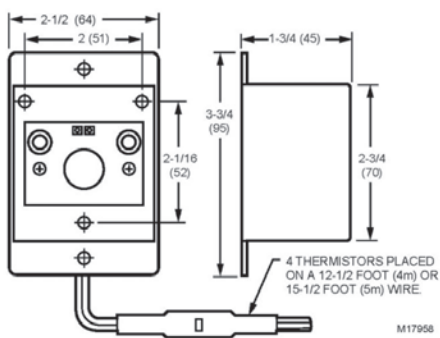
C7031B,C



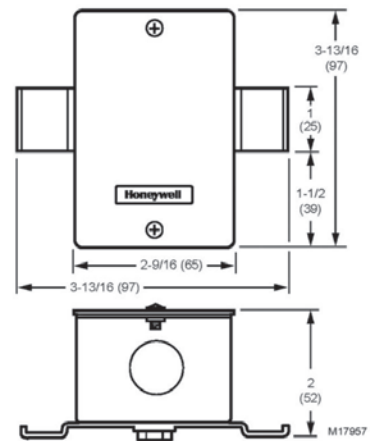
C7031D



C7031F,G



C7031J



C7031K