

# CN7220/ CN7234

Non-Spring Return, Modulating and On-Off  
type Direct-Coupled Damper Actuators  
비례제어 및 2위치 제어 댐퍼 조작기  
(20Nm/34Nm)



## 개요

논스프링 리턴 타입 직결형 댐퍼 조작기는 다음과 같은 분야에 비례제어 / 플로팅 / 2위치 제어를 제공합니다.

- 에어댐퍼
- VAV Unit
- 에어 핸들러
- 환기 플랩
- 통풍 구멍
- 20Nm / 34Nm까지의 댐퍼 지원
- 신뢰성 높은 제어동작

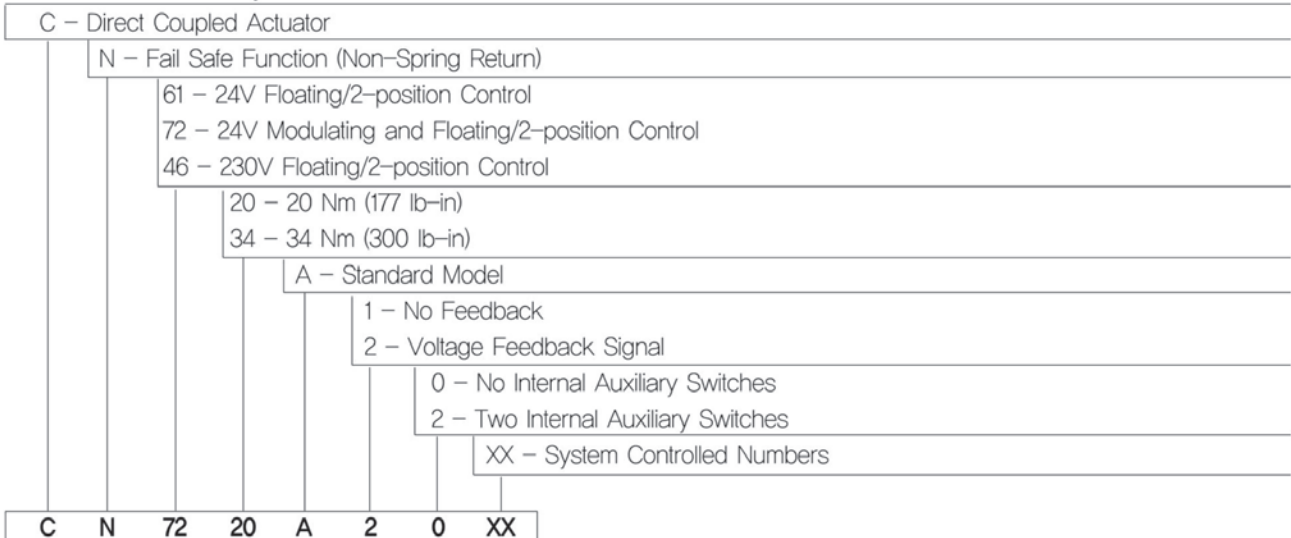
## 특징

- 수동 조작 가능
- 기계적인 회전각 제한 기능
- 결선 용이 (Wiring Terminal 분리)
- 어떤 방향으로도 설치 가능
- 정,역 및 정지 선택가능(스위치)

## 모델

Model	Description
CN7220A2007	20Nm,24Vac/Vdc, Modulating and floating/2-position control, Non-Spring return, Voltage Feedback Signal and without aux. Switch
CN7234A2008	34Nm,24Vac/Vdc, Modulating and floating/2-position control, Non-Spring return, Voltage Feedback Signal and without aux. Switch

### Product Identification System



## 특성 및 규격

**Supply voltage** | 24 Vac/dc  $\pm 15\%$ , 50/60 Hz:

**Nominal voltage** | 24 Vac/dc, 50/60 Hz:

All values stated hereinafter apply to operation under nominal voltage conditions.

### Power consumption |

CN7220A2007 : 6 VA / 3 W

CN7234A2008 : 6 VA / 3 W

### Ambient limits |

Ambient operating limits  $-20...+60$  °C ( $-5...+140$  °F)

Ambient storage limits  $-40...+80$  °C ( $-40...+175$  °F)

Relative humidity 5...95%, non-condensing

### Safety |

Protection standard IP54 as per EN 60529

Protection class II as per EN 60730-1

Overvoltage category II

### Lifetime |

Full strokes 60000

Repositions 1.5 million

### Mounting |

Round damper shaft 10...27 mm (3/8...1-1/16")

Square damper shaft 10...18 mm (3/8...11/16"); 45° steps

Shaft length min. 22 mm (7/8")

Control signal 0(2)...10 Vdc, 0(4)...20 mA

Input impedance :  $>100$  k $\Omega$  [0...10 V]

500  $\Omega$  [0...20 mA]

### Feedback signal |

Limits  $\pm 1$  mA at 0...10 V

### End switches (when included) |

Rating 5 A (resistive) / 3 A (inductive)

Triggering points 5° / 85°

### Torque rating |

CN7220A2007 20 Nm (177 lb-in)

CN7234A2008 34 Nm (300 lb-in)

**Runtime** | 95 sec (60 Hz) / 110 sec (50 Hz or DC supply)

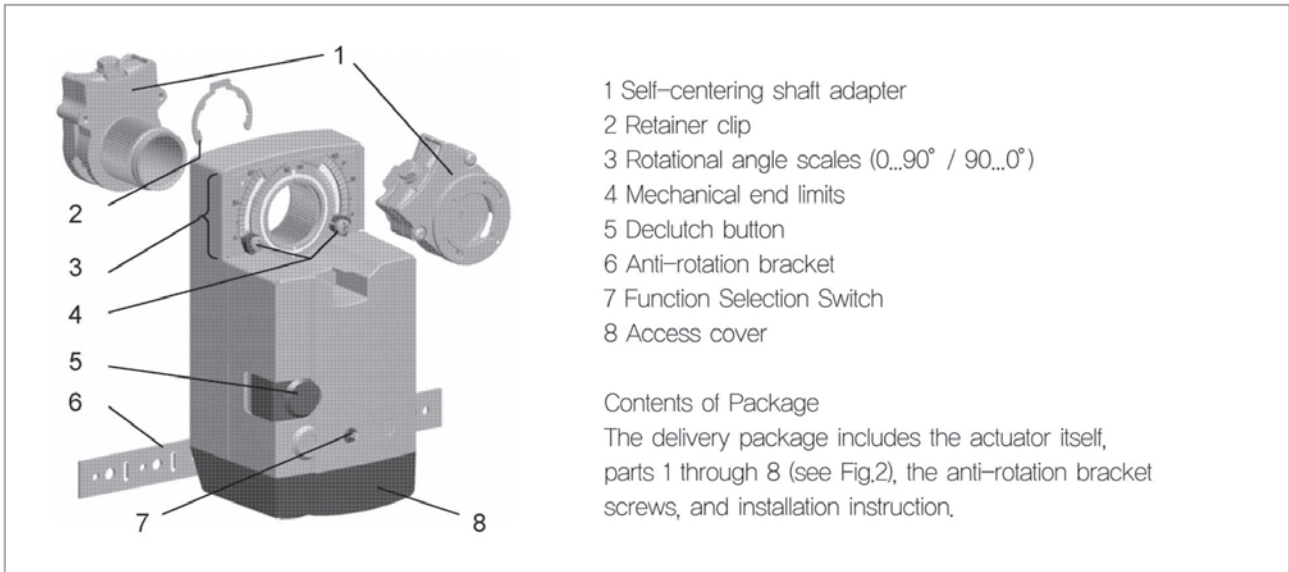
**Rotation stroke** |  $95^\circ \pm 3^\circ$

**Weight (without cables)** | 1,35 kg (3 lbs.)

**Noise rating** | 40 dB(A) max. at 1 m

**Certification** | CE & UL

### 제품구성



### 결선도

A1 CN7220A2007, CN7234A2008 MODULATING	A2 CN7220A2007, CN7234A2008 FLOATING
<p>--- = override option</p>	
A3 CN7220A2007, CN7234A2008 2-POS	A4 END SWITCHS (Models with switch only)

Terminal	Function selection switch		
	Modulating	Floating	2-position
1	24 V ~/+ (power)	unused	unused
2	common +/-	common +/-	common +/-
3	0[2]...10 V (control)	24 V ~/+ (control signal)	24 V ~/+ (control signal)
4	24 V ~/+ (override)	24 V ~/+ (control signal)	24 V ~/+ (control signal)
5	0[2]...10 V (feedback)	unused	unused

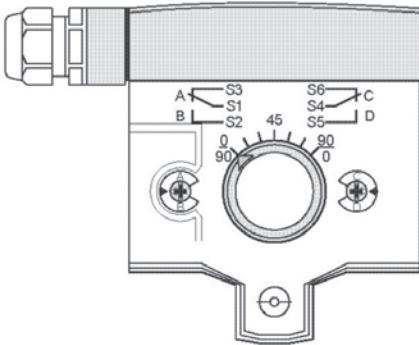
NOTE: All cables connected to these terminals must be equipped with spark suppression.

보조기기

The following optional accessories can be ordered separately.

**Auxiliary Switch Kit**

Order no.: SW2



**Spare Parts Kit**

Order no.: A7209.2071

The spare parts kit contains the following items:

- Anti-rotation bracket and screws
- Access cover screw
- Plastic protective cap for protection standard IP54
- Mechanical end limit screw and retainer

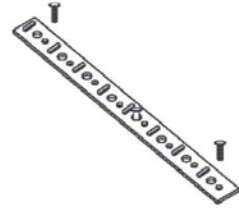
**Anti-Rotation Bracket Kit**

Order no.: A7209.2073

The anti-rotation bracket kit can be ordered separately.

**Contains :**

- 10 anti-rotation brackets
- 20 screws



외형 및 치수 (단위 : mm)

