

CN6120/CN6134/ CN4620/CN4634

Non-Spring Return, On-Off type
Direct-Coupled Damper Actuators

2위치 제어 댐퍼 조작기
(20Nm/34Nm)



개요

논스프링 리턴 타입 직결형 댐퍼 조작기는 다음과 같은 분야에 플로팅 / 2위치 제어를 제공합니다.

- 에어댐퍼
- VAV Unit
- 에어 핸들러
- 환기 플랩
- 통풍 구멍
- 20Nm / 34Nm까지의 댐퍼 지원
- 신뢰성 높은 제어동작

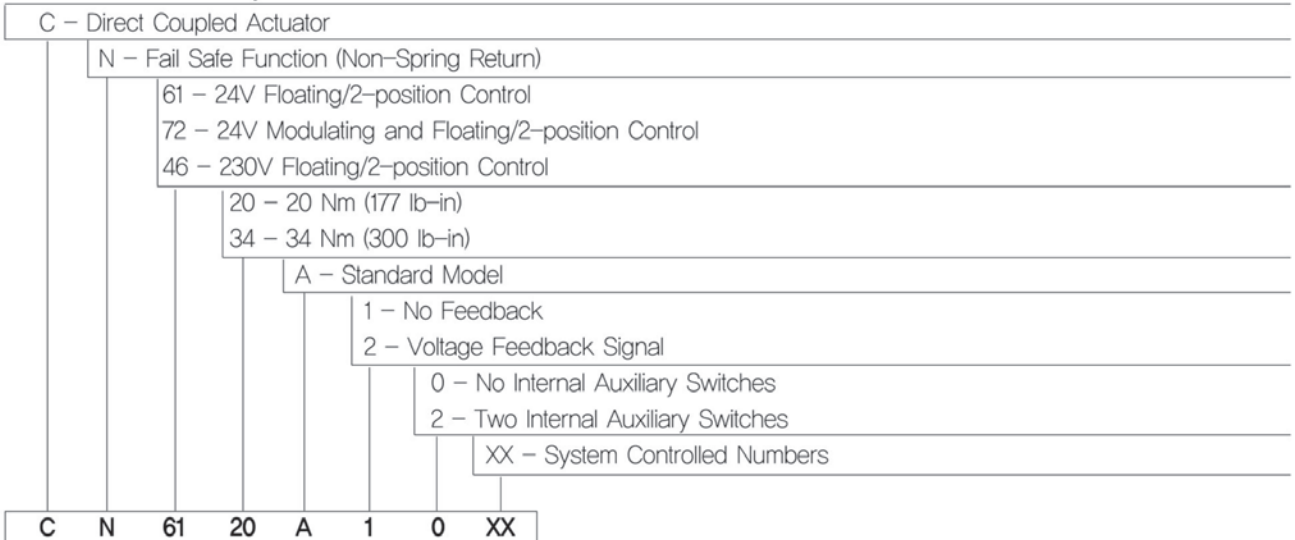
특징

- 수동 조작 가능
- 기계적인 회전각 제한 기능
- 결선 용이 (Wiring Terminal 분리)
- 어떤 방향으로도 설치 가능
- 정역 및 정지 선택가능(스위치)

모델

Model	Description
CN6120A1002	20Nm,24Vac/Vdc, Floating/2-position control, Non-Spring Return, No feedback and without aux. Switch
CN4620A1001	20Nm,230V,Floating/2-position control, Non-Spring Return, No feedback and without aux. Switch
CN6134A1003	34Nm,24Vac/Vdc, Floating/2-position control, Non-Spring Return, No feedback and without aux. Switch
CN4634A1001	34Nm,230Vac, Floating control/2-position, Non-Spring Return, No feedback and without aux. Switch

Product Identification System



특성 및 규격

Supply voltage |

CN6120/CN6134 : 24 Vac/dc $\pm 15\%$, 50/60 Hz

CN4620/CN4634 : 230 Vac $\pm 15\%$, 50/60 Hz

Nominal voltage |

CN6120/CN6134 : 24 Vac/dc, 50/60 Hz

CN4620/CN4634 : 230 Vac, 50/60 Hz

All values stated hereinafter apply to operation under nominal voltage conditions.

Power consumption |

CN6120 : 6 VA / 3 W

CN4620 : 8 VA / 3 W

CN6134 : 6 VA / 3 W

CN4634 : 10 VA / 4 W

Ambient limits |

Ambient operating limits : $-20...+60$ °C ($-5...+140$ °F)

Ambient storage limits : $-40...+80$ °C ($-40...+175$ °F)

Relative humidity : 5...95%, non-condensing

Safety |

Protection standard : IP54 as per EN 60529

Protection class : II as per EN 60730-1

Overvoltage category : III

Lifetime |

Full strokes : 60000

Repositions : 1.5 million

Mounting |

Round damper shaft : 10...27 mm (3/8...1-1/16")

Square damper shaft : 10...18 mm (3/8...11/16"); 45° steps

Shaft length : min. 22 mm (7/8")

End switches (when included) |

Rating : 5 A (resistive) / 3 A (inductive)

Triggering points : 5° / 85°

Torque rating |

CN6120 / CN4620 : 20 Nm (177 lb-in)

CN6134 / CN4634 : 34 Nm (300 lb-in)

Runtime | 95 sec (60 Hz) / 110 sec (50 Hz or DC supply)

Rotation stroke | $95^\circ \pm 3^\circ$

Weight (without cables) | 1.35 kg (3 lbs.)

Noise rating | 40 dBA max. at 1 m

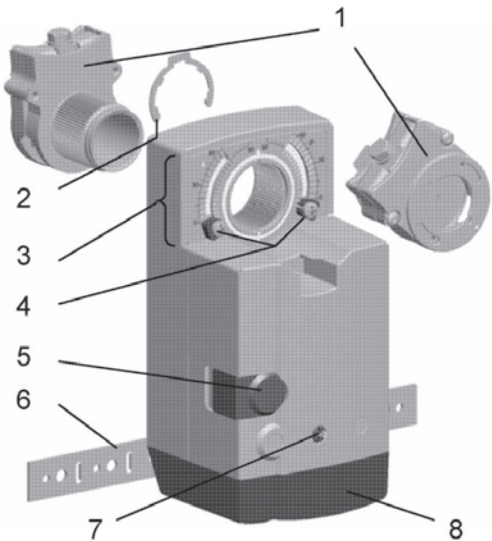
Certification |

CE CN6120 / CN6134

CN4620 / CN4634

UL CN6120 / CN6134

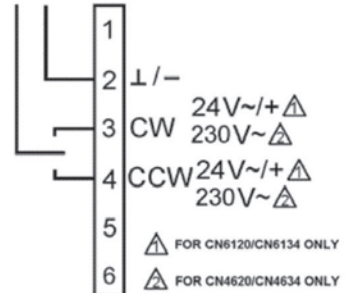
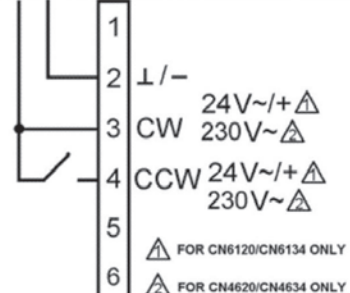
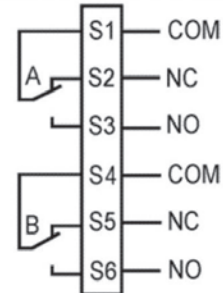
제품구성



- 1 Self-centering shaft adapter
- 2 Retainer clip
- 3 Rotational angle scales (0...90° / 90...0°)
- 4 Mechanical end limits
- 5 Declutch button
- 6 Anti-rotation bracket
- 7 Function selection switch
- 8 Access cover

Contents of Package
The delivery package includes the actuator itself, parts 1 through 8, the anti-rotation bracket screws, and installation instruction.

결선도

A1 CN6120,CN4620 CN6134,CN4634 FLOATING	A2 CN6120,CN4620 CN6134,CN4634 2-POS	A3 END SWITCHS (models with switch only)
		

NOTE: Internal end switches S1 and S4 must be connected to the same power source.
Below 2 tables summarize the information presented in the preceding wiring diagrams.

Models	Terminal	Wiring	
		Floating	2-position
CN6120,CN6134	2	common +/-	common +/-
supply and signal lines	3	24V ~/+ (clockwise)	24V ~/+
(must be equipped with spark suppressors)	4	24V ~/+ (counterclockwise)	24V ~/+ control signal
CN4620,CN4634	2	common +/-	common +/-
supply and signal lines	3	230Vac (clockwise)	230Vac
(must be equipped with spark suppressors)	4	230Vac (counterclockwise)	230Vac control signal

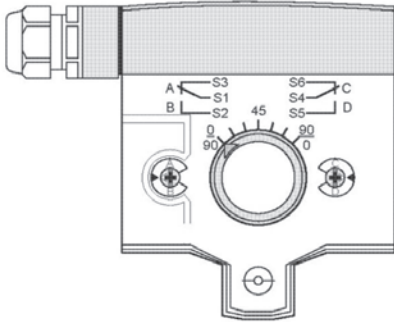
Connecting cable	Terminal	Description	
end switches (models with internal switches only)	CCW (left) 5°	S1	common
		S2	normally closed
		S3	normally open
	CW (right) 85°	S4	common
		S5	normally closed
		S6	normally open

보조기기

The following optional accessories can be ordered separately.

Auxiliary Switch Kit

Order no.: SW2



Spare Parts Kit

Order no.: A7209.2071

The spare parts kit contains the following items:

- Anti-rotation bracket and screws
- Access cover screw
- Plastic protective cap for protection standard IP54
- Mechanical end limit screw and retainer

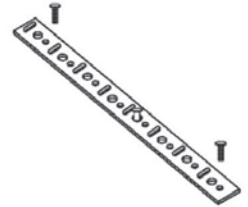
Anti-Rotation Bracket Kit

Order no.: A7209.2073

The anti-rotation bracket kit can be ordered separately.

Contains:

- 10 anti-rotation brackets
- 20 screws



외형 및 치수 (단위 : mm)

