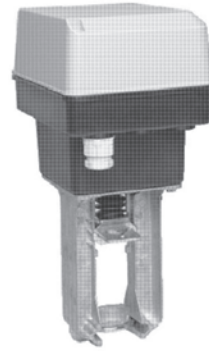


ML6425/ ML7425

Spring Return Electric Linear Valve
Actuators

전기식 밸브 조작기(600N)



개요

ML6425 Spring Return 전기식 선형 밸브 조작기들과 플로팅 제어 조작기들은 빌딩내 공기조화 설비의 각종 밸브를 조절하는데 사용됩니다. 이들 조작기는 SPDT 플로팅 출력이나 1개의 스위치가 제공되는 컨트롤러에 사용됩니다.

ML7425 Spring Return 전기식 선형 밸브 조작기들과 모듈레이팅 제어조작기들은 공기조화시스템에 이용되는 한국하니웰의 표준 밸브들을 제어합니다. 이들조작기는 0~10Vdc 또는 2~10Vdc의 아날로그 출력을 제공하는 컨트롤러에 사용됩니다.

특징

- 빠르고 쉬운 설치
- 적은 소비전력
- 높은 정격차압한계(Close-off ratings)
- 강력한 축력
- 정동작/역동작
- 동기 모터
- 외부 충격에 강한 디자인
- 유지보수가 편리함
- Spring return 조작기

특성 및 규격

ML6425

Model I

model	ML6425A3006	ML6425B3005	ML6425A3014	ML6425B3021
supply voltage	24 Vac \pm 15%, 50/60Hz		230 Vac +10/-15%, 50/60Hz	
power consumption	11VA		12VA	
signal input 1	Supply voltage between terminals 1 and 24 V~; actuator stem extended. Two-way valve: "closed", three-way valve port A-AB: "open"		Supply voltage between terminals N and Ph 1; actuator stem extended. Two-way valve: "closed", three-way valve port A-AB: "open"	
signal input 2	Supply voltage between terminals 2 and 24 V~; actuator stem retracted. Two-way valve: "open", three-way valve port A-AB: "closed".		Supply voltage between terminals N and Ph 2; actuator stem retracted. Two-way valve: "open", three-way valve port A-AB: "closed".	
stroke	20mm			
run time at 50Hz	1,8min			
close-off force	\geq 600N			
spring return time	\approx 12s			
spring return direction (upon power failure)	actuator stem extends			

Temperature Limits I

- Ambient operating limits : -10...+50 °C at 5...95% RH
- Ambient storage limits : -40...+70 °C at 5...95% RH
- Medium valve temperature : Max. 150 °C (220 °C with High-Temperature kit)

Protection I

- Protection standard per DIN 40050 : IP54
- Insulation per DIN EN60730 : Class II
- Flame retardant as per : UL 94-V0(with metal cable gland)

Wiring I

- Wiring terminals : 1,5 mm²
- Cable entry : PG13,5 and two additional knock-outs PG11 and PG13,5

Weight I

- spring return type : 2,4 kg

Material I

- Cover : ABS-FR
- Base : glass fiber reinforced plastic
- Yoke : aluminum diecast

ML7425**Model I**

model	ML7425A6016
supply voltage	24 Vac ±15%; 50/60 Hz
power consumption	12 VA
signal input 0(2) Vdc	Actuator stem retracted. Two-way valve:"open", three-way valve port A-AB:"closed" *
signal input 10 Vdc	Actuator stem extended. Two-way valve:"closed", three-way valve port A-AB:"open" *
stroke	20 mm
run time at 50 Hz	1,8 min
close-off force	≥600 N
spring return time	?12 s
spring return direction	actuator stem extends at power failure

* Factory setting; can be reversed by pressing the right-hand pushbutton (W3) located on the PCB

Temperature Limits I

- Ambient operating limits : -10...+50 °C at 5...95% r.h.
- Ambient storage limits : -40...+70 °C at 5...95% r.h.
- Medium valve temperature : Max. 150 °C (220 °C with High-Temperature kit)

Signals I

- Signal input voltage : y = 0...10 Vdc or 2...10 Vdc, Ri = 100kΩ
- Signal source : 1 kW max.
- Position feedback signal : x = 2...10 Vdc
- Load : 1 mA max.

Safety I

- Protection class : III as per EN60730-1
- Protection standard : IP54 as per EN60529
- Flame retardant housing : V0 as per UL94(with metal cable gland)

Wiring I

- Wiring terminals : 1,5 mm²
- Cable entry : M20, Two additional knockouts M18 and M20 for auxiliary switch and potentiometer accessories

Weight I

- spring return type : 2,4 kg

Material I

- Cover : ABS-FR
- Base : glass fiber reinforced plastic
- Yoke : aluminum diecast

Accessories

Auxiliary Switches

The actuators can be equipped on site with an auxiliary switch unit with two switches. Their switching points are adjustable over the full length of the actuator stroke. The switches can be used to switch pumps or provide remote indication of any stroke position.

· Part number: 43191680 – 005.

Auxiliary Potentiometers

Auxiliary potentiometers are available for mounting on site. They can be used as feedback potentiometer and/or to provide remote indication of the valve position.

· Part number: 43191679 – 011 (10 k Ω)

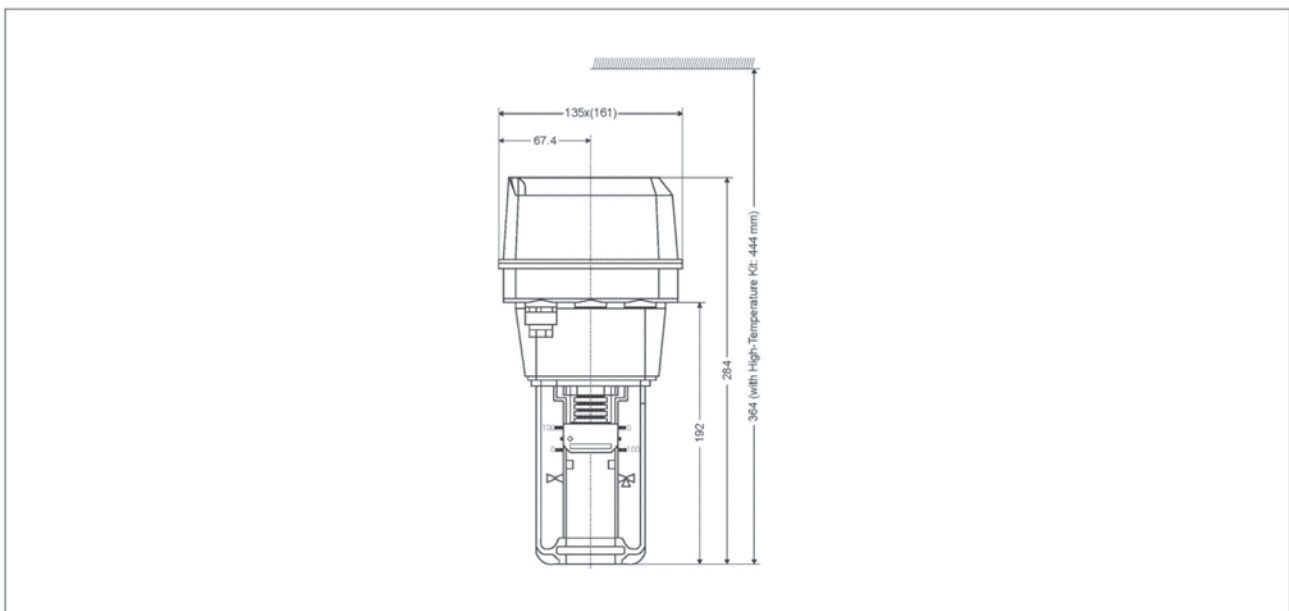
· Part number: 43191679 – 012 (220 Ω)

High Temperature Kit

(for applications >150 °C medium temperature)

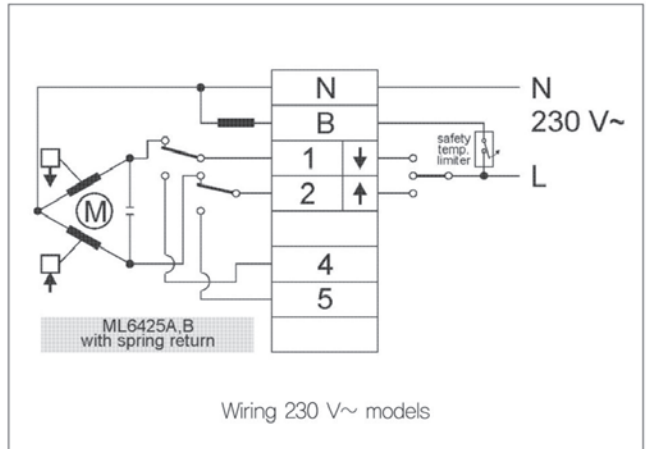
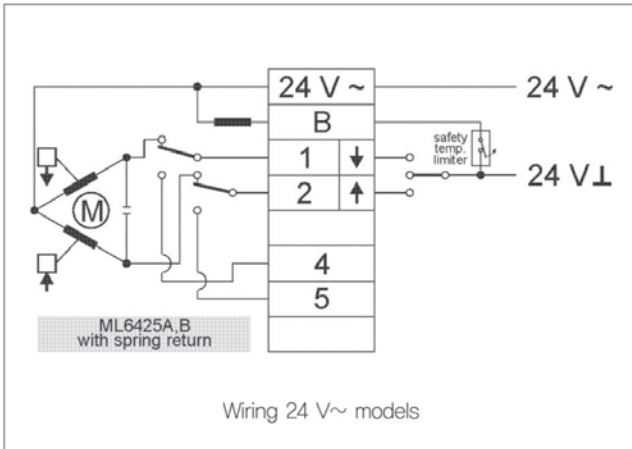
order number High-Temperature Kit	valve	DN
43196000-001	V5011A/V5011K	15 – 40
	V5013A/V5013G	15 – 40
	V5011R/V5013R	15 – 50
	V5328A/V5329A	15 – 32
43196000-002	V5011A	50
	V5013A/V5013G	50
	V5328A/V5329A	40 – 80
	V5049A	15 – 65
	V5050A	15 – 80
43196000-038	V5328A	100 – 150
	V5016A	100 – 150
	V5025A	100 – 150
	V5049A (PN25/40)	80 – 100
	V5050 (PN16)	100 – 150
	V5050 (PN25/40)	100

외형 및 치수 (mm)

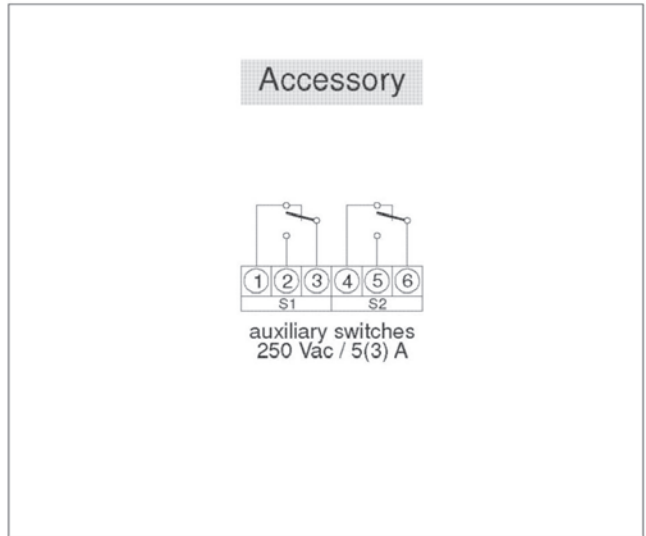
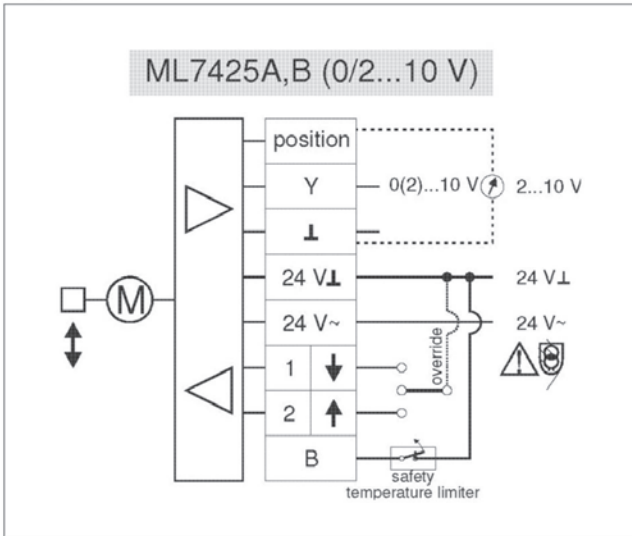


Wiring

ML6425



ML7425



AUXILIARY SWITCHES (OPTION)

Part number: 43191680 – 005.

